

# WALWORTH INDUSTRIAL BRONZE GLOBE VALVE CLASS 125 (200 WOG)

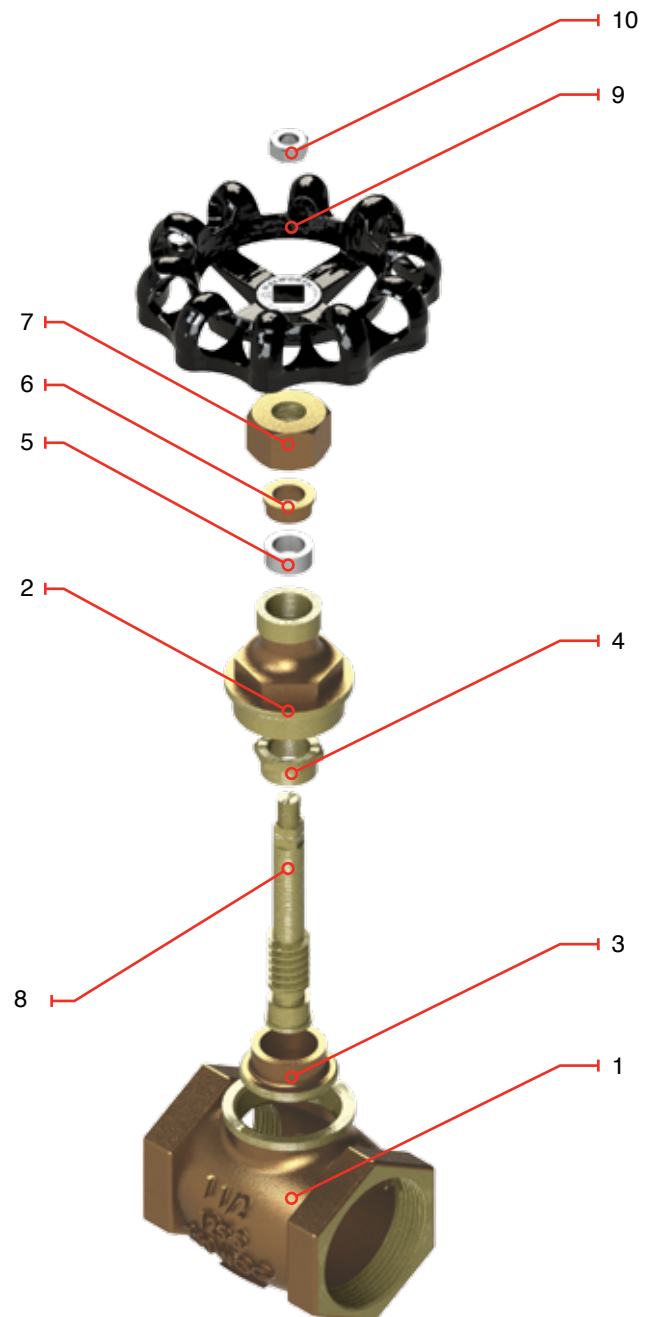
## DESIGN FEATURES

- Design in accordance with MSS SP-80
- Rising Stem
- Bronze construction
- Integral seat rings
- Screwed bonnet design
- Threaded ends as per ANSI B1.20.1
- Face to face dimensions as per WALWORTH design
- Handwheel operated

CATALOG FIGURE NO.	TYPE OF ENDS
W58	Threaded Ends

## REGULAR BILL OF MATERIALS

NO.	DESCRIPTION	MATERIALS
1	Body	Bronze B62
2	Bonnet	Bronze B62
3	Disc	Bronze B62
4	Disc Holder	Bronze B62
5	Stem Packing	Non Asbestos
6	Gland	Brass B16
7	Packing Nut	Bronze B62
8	Stem	Bronze B62
9	Handwheel	Ductile Iron A536
10	Handwheel nut	Galvanized Steel

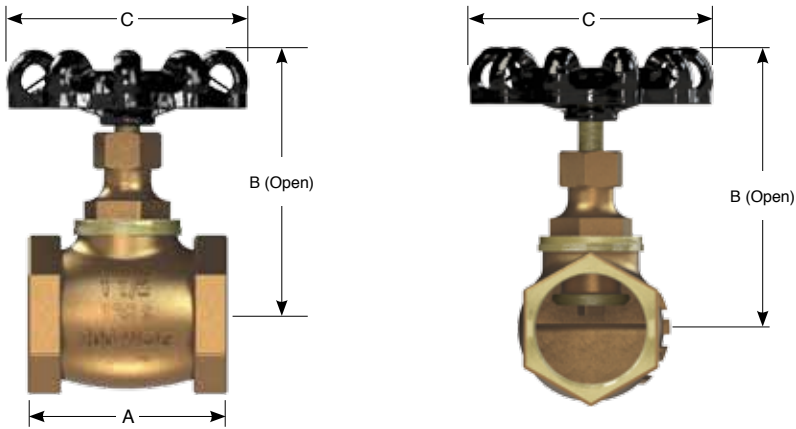


# WALWORTH INDUSTRIAL BRONZE GLOBE VALVE CLASS 125 (200 WOG)

## DESIGN FEATURES

- Design in accordance with MSS SP-80
- Rising Stem
- Bronze construction
- Integral seat rings
- Screwed bonnet design
- Threaded ends as per ANSI B1.20.1
- Face to face dimensions as per WALWORTH design
- Handwheel operated

CATALOG FIGURE NO.	TYPE OF ENDS
W58	Threaded Ends



## DIMENSIONS AND WEIGHTS

D NOMINAL DIAMETER	mm	13	19	25	30	40	50
	in	1/2"	3/4"	1"	1 1/4"	1 1/2"	2"
A	mm	49.02	55.11	64	73.66	83.56	96.52
	in	1.93	2.17	2.52	2.9	3.29	3.8
B	mm	87.12	89.40	103.88	120.14	134.87	152.01
	in	3.43	3.52	4.09	4.73	5.31	5.98
C	mm	50.8	63.5	69.85	76.2	88.9	101.6
	in	2	2.5	2.75	3	3.5	4
Weight W58	kg	0.46	0.65	1.00	1.46	2.19	3.33
	lb	1.01	1.43	2.2	3.21	4.81	7.32
Cv	Flow coefficient	2.46	5.76	10.69	17.08	25.17	47.05