

oliver valves

INSTRUMENT VALVE AND DOUBLE BLOCK & BLEED VALVE SOLUTIONS

reliability
under
pressure



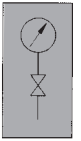
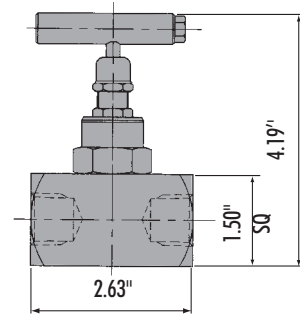
www.valves.co.uk

HD TYPE HEAVY DUTY NEEDLE VALVE



Male or female configuration
 HD = 6,000 PSI
 HD/HP = 10,000 PSI
 HD/15HP = 15,000 PSI (with autoclave fitting)

Note: 1/4", 3/8" and 1/2" NPT threads rate to 10,000 PSI only
 3/4", 1" NPT threads rate to 6,000 PSI only
 Above is strictly in accordance to ANSI Standards

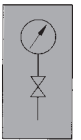
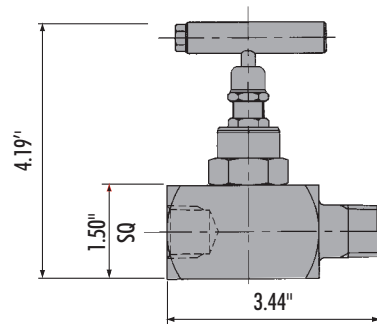


FS TYPE FIRE SAFE NEEDLE VALVE



Male or Female configuration
 FIRESAFE tested 6,000 PSI
 BS6755 Part 2
 Lloyds Certificate No. 92/00140.

Male x Female type shown.



LT100 & LT200 CRYOGENIC NEEDLE VALVES

HEAD UNIT EXTENSION TYPE		
SUFFIX	EXTENSION	TEMPERATURE
LT100	5.81 (148mm)	-100°C
LT200	12.38" (314mm)	-200°C

Extension length does not include valve body.

Shown are LT200 low temperature cryogenic head unit extensions in Y24 and Y53 manifold configurations.



reliability
under
pressure

quality

Accredited to ISO9001:2000, The Oliver Valve companies are able to offer complete component traceability across a wide range of instrumentation, pipeline valves and accessories. Comprehensive in-house facilities satisfy both production and special testing requirements including:

- Hydrostatic testing
- Nitrogen gas testing
- Cryogenic testing
- High temperature testing
- Helium leak detection
- L.P.I. & M.P.I. NDT methods
- Fire testing BS6755 Pt2, API607/4
- Oxygen clean facilities
- Low pressure testing
- Blasting and painting facilities



LLOYD'S 0870012/A



REGISTRATION NUMBER 40697



0038

Oliver Valves Limited Parkgate Industrial Estate
Knutsford Cheshire WA16 8DX England
T +44 (0)1565 632 636 F +44 (0)1565 654 089
E sales@valves.co.uk www.valves.co.uk



www.valves.co.uk

CAT OV REV 0-10