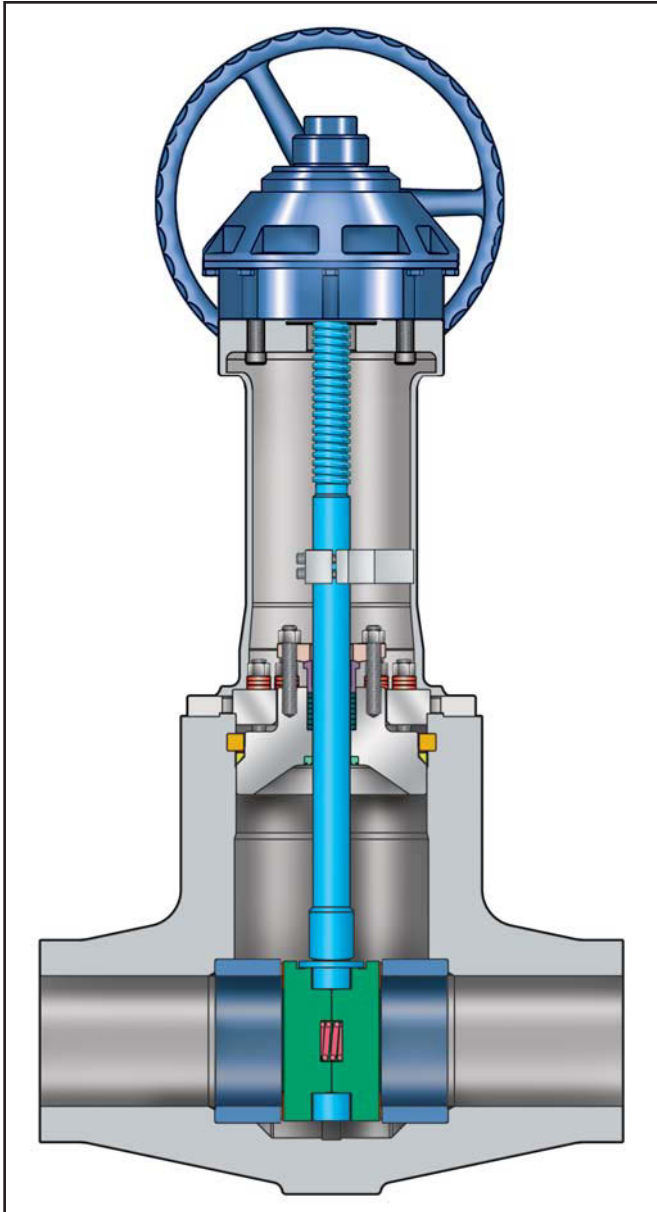




**PRESSURE SEAL  
PARALLEL SLIDE GATE VALVES  
CARBON, ALLOY OR STAINLESS STEEL  
ASME CLASSES 600–2500, 2 –24" (50–600 mm)**

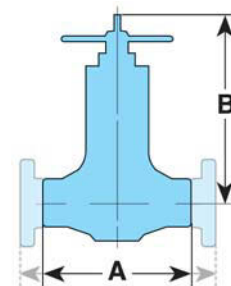


Velan pressure seal parallel slide gate valves are ideal for clean service and steam.

**DESIGN FEATURES:**

- **Velan pressure seal design.**  
*(See page 10 for details.)*
- **Unique Parallel Slide Forged Cage Unit Design**  
comprises all operating parts of the slide discs.  
*(See page 23 for details.)*
- **Designed to ASME B16.34.**
- **Body** made of superior strength forgings and optional cast steel.
- **Velan stem seal** offers tight seal with little to no maintenance over long periods of time.
- **Optional** live-loading of packing.
- **Non-rotating** stem.
- **Hardfaced** seating faces resist erosion.

CLASS	FIGURE NUMBER	
	FORGED	CAST
600	2144P	2144K
900	7144P	7144K
1500	3144P	3144K
2500	4144P	4144K



Flange dimensions are in accordance with ASME B16.5.  
Flanges are welded on.

**FLOW COEFFICIENT CV\***

SIZE in mm	CLASS							
	600		900		1500		2500	
	FORGED 2144P	FORGED 7144P	CAST 7144K	FORGED 3144P	CAST 3144K	FORGED 4144P	CAST 4144K	
2 50	260	260	230	260	230	230	-	
2½ 65	260	260	-	260	-	230	-	
3 80	440	440	-	440	-	230	-	
4 10	725	725	-	725	-	350	-	
6 150	1600	1600	-	1600	-	850	-	
8 200	2650	2650	-	2650	-	1550	-	
10 250	3650	3650	5500	3650	-	2500	-	
12 300	5900	5900	7000	5900	5900	3650	3650	
14 350	8200	8200	8600	5900	7200	3650	4400	
16 400	9500	9500	12500	9500	9500	6600	6600	
18 450	12500	12500	16000	12500	12500	8600	8600	
20 500	16600	16600	20000	16600	16600	10400	10400	
24 600	23000	23000	30000	23000	23000	14000	14000	

\*  $K_v = C_v \times 0.85$

**STANDARD MATERIALS**

PART	MATERIAL				
Body <sup>(1)</sup>	A 105 or A 216 Gr. WCB	A 182 Gr. F11 or A 217 Gr. WC6	A 182 Gr. F22	A 182 Gr. F91 >1000°F (538°C)	A 182 Gr. F316
Bonnet <sup>(1)</sup>	A 105 or A 216 Gr. WCB	A 182 Gr. F11 or A 217 Gr. WC6	A 182 Gr. F22 or A 217 Gr. WC9	A 182 Gr. F91 A 182 Gr. F316	A 182 Gr. F316 or A 351 Gr. CF8M
Seat <sup>(1)(2)</sup>	A 105 or A 216 Gr. WCB	A 182 Gr. F11 or A 217 Gr. WC6	A 182 Gr. F22 or A 217 Gr. WC9	A 182 Gr. F91 A 182 Gr. F316	A 182 Gr. F316 or A 351 Gr. CF8M
Disc <sup>(1)(2)</sup>	Gr. 410			Gr. 616 or Gr. 660	Gr. 630 or Gr. 660
Stem <sup>(1)(3)</sup>	Gr. 410				
Yoke	Carbon steel				
Gasket <sup>(1)</sup>	Soft carbon steel—silver plated or Graphite/SS 316				
Gasket retainer	A 182 Gr. F6a Cl. 4			Gr. 616 or Gr. 660	Gr. 630 or Gr. 660
Spacer ring	Gr. 4140 option Ni or Cad plated or SS				
Packing ring <sup>(1)</sup>	Graphite				
Packing flange	Carbon steel				Stainless
Gland	Carbon steel	Stainless			
Gland stud	Gr. B7				
Gland nut	Gr. 2H				
Bonnet retainer	Carbon steel	Alloy Steel	Stainless		
Torque arm	Carbon steel				
Yoke bolting	Gr. B7				
Yoke nut	Manganese bronze or Austenitic Ductile Iron A 439 Gr. D-2C				
Thrust bearing	Steel				
Handwheel <sup>(1)</sup>	Malleable iron or steel				

(1) Other materials available. 2) Stellite. 3) Hardened.

**DIMENSIONS – BUTT WELD END**

SIZE in mm	ASME 600 (PN 100)			ASME 900 (PN 150)			ASME 1500 (PN 250)			ASME 2500 (PN 420)		
	A	B <sup>(5)</sup>	lb <sup>(6)</sup> kg	A	B <sup>(5)</sup>	lb <sup>(6)</sup> kg	A	B <sup>(5)</sup>	lb <sup>(6)</sup> kg	A	B <sup>(5)</sup>	lb <sup>(6)</sup> kg
2 50	7.00 178	18.50 470	60 27	8.50 216	18.50 470	60 27	8.50 216	18.50 470	60 27	11.00 279	25.25 641	215 98
2½ 65	8.50 216	18.50 470	60 27	10.00 254	18.50 470	60 27	10.00 254	18.50 470	60 27	13.00 330	25.25 641	220 100
3 80	10.00 254	25.63 651	200 91	12.00 305	25.63 631	200 91	12.00 305	25.63 651	200 91	14.50 368	27.06 687	225 102
4 100	12.00 305	27.94 710	250 113	14.00 356	27.94 710	250 113	16.00 406	27.94 710	250 113	18.00 457	27.06 687	300 136
6 150	18.00 457	43.50 1105	800 363	20.00 508	43.50 1105	800 363	22.00 559	43.50 1105	800 363	24.00 610	40.94 1040	850 386
8 200	23.00 584	48.31 1227	1300 590	26.00 660	48.31 1227	1300 590	28.00 711	48.31 1227	1300 590	30.00 762	49.38 1254	1500 680
10 250	28.00 711	51.87 1318	1980 900	31.00 787	51.87 1318	1980 900	34.00 864	51.87 1318	1980 900	36.00 914	51.84 1317	2000 909
12 300	32.00 813	68.56 1741	3300 1497	36.00 914	68.56 1741	3300 1497	39.00 991	68.56 1741	3300 1497	41.00 1041	62.75 1594	3500 1587
14 350	35.00 889	68.56 1741	3300 1497	39.00 991	68.56 1741	3300 1497	42.00 991	68.56 1741	3300 1497	44.00 <sup>(7)</sup> 1118	62.75 1594	3500 1588
16 400	39.00 991	74.21 1885	3900 1769	43.00 1092	74.21 1995	3900 1769	47.00 1194	71.50 1816	3900 1769	49.00 <sup>(7)</sup> 1245	76.19 1935	4400 2000
18 450	43.00 1092	88.38 2245	5000 2268	43.00 <sup>(7)</sup> 1092	89.44 2272	5000 2268	43.00 <sup>(7)</sup> 1092	89.44 2272	5000 2268	44.00 <sup>(7)</sup> 1118	90.25 2292	5500 2495
20 500	47.00 1194	97.25 2470	7600 3447	47.00 <sup>(7)</sup> 1194	97.25 2470	7600 3447	47.00 <sup>(7)</sup> 1194	97.75 2483	7600 3447	48.00 1219	95.12 2416	8500 3856
24 600	55.00 1397	117.44 2983	10000 4536	55.00 <sup>(7)</sup> 1397	117.44 2983	10000 4536	55.00 <sup>(7)</sup> 1397	117.44 2983	10000 4536	55.00 1397	107.81 2738	14000 6350

(5) Dimension is center to top in open position.

(6) Weights shown are for forged valves. For weights of cast steel valves, please contact Velan's Engineering Dept.

(7) The following valves do not meet the ASME B16.10 end to end dimensions.