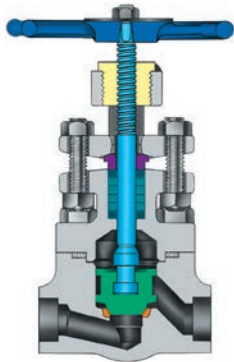


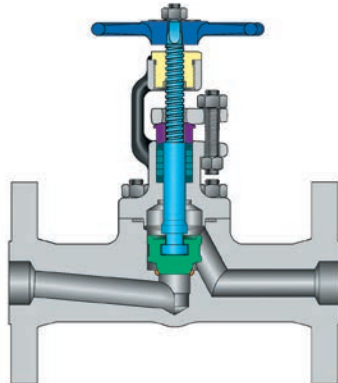
# VELAN FORGED STEEL GLOBE VALVES

## CONVENTIONAL PORT, THREADED OR SOCKET WELD

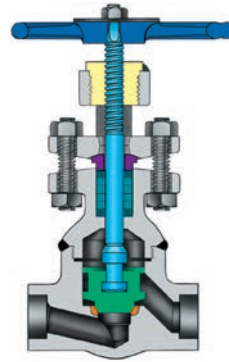
NPS ¼–2 (DN 8–50), ASME CLASS 800 (1975 psi @ 100°F), ASME CLASS 1500 (3705 psi @ 100°F)  
 FLANGED ASME CLASSES 150, 300, 600, 1500  
 COMPLIES TO API 602 AND ASME B16.34 STANDARDS



**BOLTED BONNET**  
 2074B – Class 800  
 3074B – Class 1500



**FLANGED BOLTED BONNET**  
 0074B – Class 150 2074B – Class 600  
 1074B – Class 300 3074B – Class 1500



**WELDED BONNET**  
 2074W – Class 800  
 3074W – Class 1500

PART	STANDARD MATERIALS
Body	A105
Seat (integral)	CoCr alloy
Bonnet	A105
Gasket	Gr. 304 (stainless and graphite)
Packing flange	A 105
Disc	CA15 HT or CoCr alloy
Stem	Gr. 410 (stainless)
Stem nut	Gr. 416 (stainless) or bronze
Gland	Gr. 416 (stainless)
Packing	Graphite
Gland bolt	Gr. B6
Gland nut	Gr. 2H
Cap screw	Gr. B7
Handwheel	Malleable iron
Handwheel lockwasher	Steel
Name plate	Aluminum

Available with live-loading, double packing, and leak-off.  
 Also see page 17 for bellows seal valves for emission-free service.

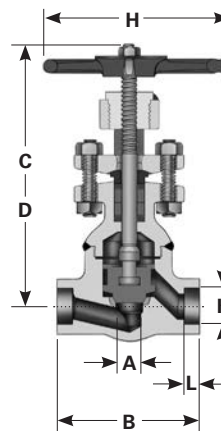
For other materials, trims, and engineering data, see pages 23–35.

### BOLTED BONNET GLOBE DIMENSIONS AND WEIGHTS

Size NPS DN	A		B		C		D		H		K	L	Weight		Flanged Face-to-face			
	Port		End-to-end		Center-to-top, closed		Center-to-top, open		Handwheel				lb kg					
	800	1500	800	1500	800	1500	800	1500	800	1500			800	1500	150	300	600	1500
¼ <sup>(1)</sup>	0.36	0.50	3.13	4.00	4.6	7.8	4.9	8.4	3.00	6	0.555	0.38	3.50	12.00	4.00 <sup>(2)</sup>	6.00 <sup>(2)</sup>	6.50 <sup>(2)</sup>	8.50
8	9.2	13	80	102	117	198	124	213	76	152	14.1	9.5	1.6	5.4	102	152	165	216
¾ <sup>(1)</sup>	0.36	0.50	3.13	4.00	4.6	7.8	4.9	8.4	3.00	6	0.690	0.38	3.50	12.00	4.00 <sup>(2)</sup>	6.00 <sup>(2)</sup>	6.50 <sup>(2)</sup>	8.50
10	9.2	13	80	102	117	198	124	213	76	152	17.5	9.5	1.6	5.4	102	152	165	216
½ <sup>(1)</sup>	0.36	0.50	3.13	4.00	4.6	7.8	4.9	8.4	3.00	6	0.855	0.38	3.50	12.00	4.25 <sup>(2)</sup>	6.00 <sup>(2)</sup>	6.50 <sup>(2)</sup>	8.50
15	9.2	13	80	102	117	198	124	213	76	152	21.7	9.5	1.6	5.4	108	152	165	216
¾	0.50	0.50	3.25	5.00	6.61	7.8	7.1	8.4	4.0	6	1.065	0.50	5.90	14.00	4.62	7.00	7.50	9.00
20	13	13	83	127	168	198	180	213	102	152	27.1	12.7	2.7	6.4	117	178	190	229
1	0.75	0.75	3.50	6.00	6.70	9.2	7.3	10.0	4.0	8	1.330	0.50	6.70	29.00	5.00	8.00	8.50	10.00
25	19	19	89	152	170	233	185	254	102	203	33.8	12.7	3.0	13.2	127	203	216	254
1¼	1.25	1.25	5.00	7.00	8.11	10.1	8.7	11.0	6.0	8	1.675	0.50	18.00	37.00	5.50	8.50	9.00	11.00
32	32	32	127	178	206	257	221	279	152	203	42.5	12.7	8.2	16.8	140	216	229	279
1½	1.25	1.25	5.00	7.00	8.11	10.1	8.7	11.0	6.0	8	1.915	0.50	16.00	37.00	6.50	9.00	9.50	12.00
40	32	32	127	178	206	257	221	279	152	203	48.6	12.7	7.3	16.8	165	229	241	305
2	1.50	1.50	8.00	9.00	10.39	11.0	11.2	12.3	8.0	12	2.406	0.63	30.00	64.00	8.00	10.50	11.50	14.50
50	38	38	203	229	264	279	285	312	203	305	61.1	15.9	13.6	29.0	203	266	292	368

### WELDED BONNET GLOBE DIMENSIONS & WEIGHTS

Size NPS DN	A		B		C		D		H		K	L	Weight	
	Port		End-to-end		Center-to-top, closed		Center-to-top, open		Handwheel				lb kg	
	800	1500	800	1500	800	1500	800	1500	800	1500			800	1500
¼ <sup>(3)</sup>	0.36	0.50	2.88	3.50	4.57	6.8	4.84	7.3	3.0	6.0	0.555	0.38	2.50	7.50
8	9.2	13	73	89	116	173	123	185	76	152	14.1	9.5	1.14	3.4
¾ <sup>(3)</sup>	0.36	0.50	2.88	3.50	4.57	6.8	4.84	7.3	3.0	6.0	0.690	0.38	2.50	7.50
10	9.2	13	73	89	116	173	123	185	76	152	17.5	9.5	1.14	3.4
½ <sup>(3)</sup>	0.36	0.50	2.88	3.50	4.57	6.8	4.84	7.3	3.0	6.0	0.855	0.38	2.50	7.50
15	9.2	13	73	89	116	173	123	185	76	152	21.7	9.5	1.14	3.4
¾	0.50	0.50	3.25	3.50	6.60	6.8	6.90	7.3	4.0	6.0	1.065	0.50	4.80	7.50
20	13	13	83	89	168	173	175	185	102	152	27.1	12.7	2.2	3.4
1	0.75	0.75	3.50	5.00	6.70	8.3	7.20	9.0	4.0	6.0	1.330	0.50	5.70	15.00
25	19	19	89	127	170	211	183	229	102	152	33.8	12.7	2.6	6.9
1¼	1.25	1.25	5.00	5.25	8.05	10.0	8.93	10.76	6.0	8.0	1.675	0.50	12.00	23.00
32	32	32	127	133	204	254	227	273	152	203	42.5	12.7	5.4	10.4
1½	1.25	1.25	5.00	5.25	8.05	10.0	8.93	10.76	6.0	8.0	1.915	0.50	12.00	23.00
40	32	32	127	133	204	254	227	273	152	203	48.6	12.7	5.4	10.4
2	1.44	1.50	5.25	10.00	9.30	12.8	10.00	14.00	6.0	12.0	2.406	0.63	17.00	57.00
50	37	38	133	254	236	325	254	356	152	305	61.1	15.9	7.7	26



### AVAILABLE FEATURES

Class	Bolted bonnet		Welded bonnet	
	800	1500	800	1500
Stop	2074B	3074B	2074W	3074W
Stop check	2084B	3084B	2084W	3084W
Needle	2094B	3094B	2094W	3094W
Flow control	2014B	3014B	2014W	3014W

For throttling globe valves chart, percentage of Cv versus percentage of lift, see page 24.

(1) Only for A105 (carbon) and A182 (stainless F316/F316L) body material in socket weld, threaded, butt weld or combination weld ends and 800 pressure class.

All other materials in 800 pressure class, refer to the NPS ¾ (DN 20) design.

(2) Only for A105 (carbon) and A182 (stainless F316/F316L) body material in RF end connections, bolted bonnet design and pressure classes 150, 300, and 600.

All other materials in pressure classes 150, 300, and 600, refer to the NPS ¾ (DN 20) design.

(3) Only for A105 (carbon) body material in socket weld, threaded, butt weld or combination weld ends and 800 pressure class.

All other materials in 800 pressure class, refer to the NPS ¾ (DN 20) design.