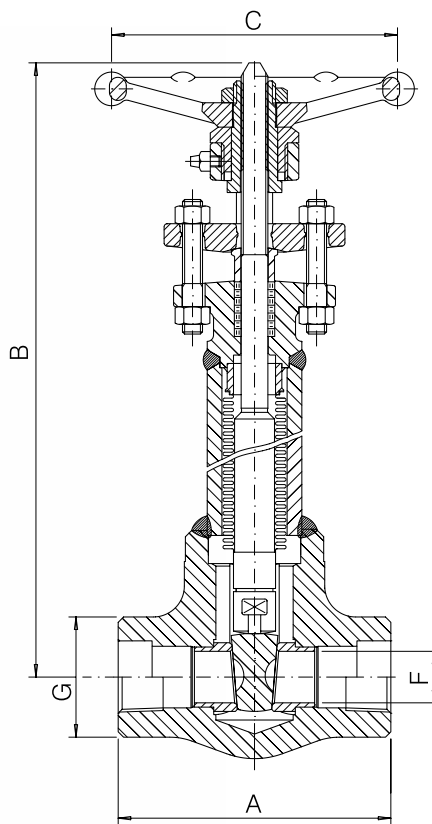


B[®] GATE VALVES- BELLOWS SEALED- WELDED BONNET- FULL PORT

BONNEY FORGE

2500 LB.

Design construction:
 ASME B16.34, MSS-SP-117, BS 5352
 Testing according to API 598
 Marking MSS-SP-25
 Outside Screw and Yoke (OS&Y)
 Self aligning two piece packing gland
 Spiral wound gasket
 Body Bonnet Weld to ASME IX
 Integral Backseat
 Hydroformed bellows
 Grease nipple for stem
 Socket Weld Ends to ASME B16.11
 Screwed Ends (NPT) to ASME B1.20.1
 Butt Welding Ends to ASME B16.25
Ratings:
 -carbon steel class 2500 6170 psig @ 100°F
 425 bar + 38°C



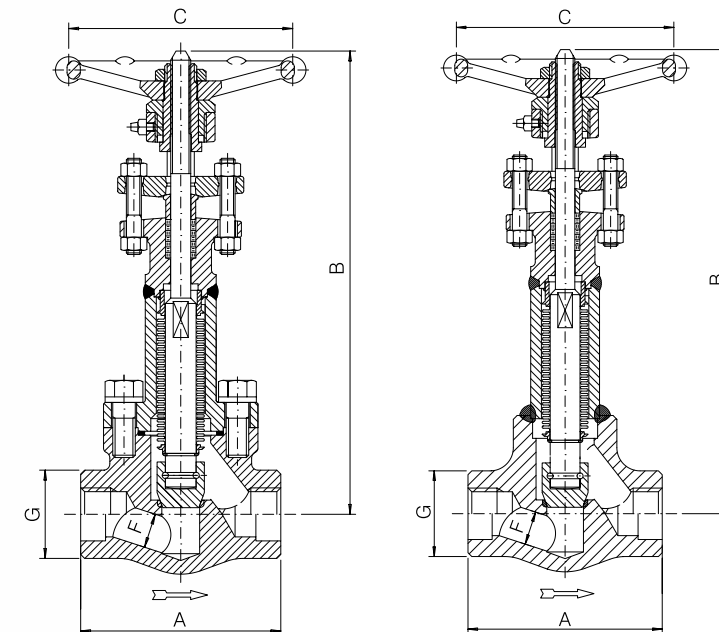
FULL PORT — FIG. 25SHW 10									
SIZE	inch	1/4	3/8	1/2	3/4	1	1 1/4	1 1/2	2
	mm	6	10	15	20	25	32	40	50
A	inch	4.33	4.33	5	5	5	5	8.27	9.05
	mm	110	110	127	127	127	127	210	230
B open	inch	14.96	14.96	16.93	17.72	20.08	24.41	24.80	27.95
	mm	380	380	430	450	510	620	630	710
C	inch	5.43	5.43	5.43	6.77	9.21	9.21	12.60	15.75
	mm	138	138	138	172	234	234	320	400
F	inch	.31	.31	.45	.59	.77	.98	1.10	1.38
	mm	8	8	11.5	15	19.5	25	28	35
G	inch	1.89	1.89	2.20	2.52	3.07	3.07	3.35	3.74
	mm	48	48	56	64	78	78	85	95
Weight	lb.	13.5	13.5	14.25	23	35.25	37.5	63.75	99.25
	kg	6.2	6.2	6.5	10.5	16	17	29	45
PACKING		BH6	BH6	2B4	2B4	BH8	BH8	9B8	25B8

B[®] GLOBE VALVES- BELLOWS SEALED- WELDED & BOLTED BONNET- FULL & STANDARD PORT

BONNEY FORGE

800 LB.
1500 LB.

Design construction:
 ASME B16.34, BS 5352, MSS-SP-117
 Testing according to API 598
 Marking MSS-SP-25
 Outside Screw and Yoke (OS&Y)
 Self aligning two piece packing gland
 Spiral wound gasket
 Body Bonnet Weld to ASME IX
 Integral Backseat
 Loose solid disc
 Socket Weld Ends to ASME B16.11
 Screwed Ends (NPT) to ASME B1.20.1
 Butt Welding Ends to ASME B16.25
Ratings:
 -carbon steel class 800 1975 psig @ 100°F
 138 bar + 38°C
 -carbon steel class 1500 3705 psig @ 100°F
 255 bar + 38°C



800 LB. FULL PORT — BOLTED BONNET FIG. S 30 - WELDED BONNET FIG. SHW 30									
SIZE	inch	1/4	3/8	1/2	3/4	1	1 1/4	1 1/2	2
	mm	6	10	15	20	25	32	40	50
A	inch	3.15	3.15	3.54	4.33	5	5.90	7.09	8.27
	mm	80	80	90	110	127	150	180	210
B open	inch	8.07	8.07	8.27	9.64	11.22	12.40	13.58	17.52
	mm	205	205	210	245	285	315	345	445
C	inch	3.46	3.46	3.46	3.82	5.43	5.43	6.77	6.77
	mm	88	88	88	97	138	138	172	172
F	inch	.27	.35	.51	.69	.87	1.16	1.38	1.77
	mm	7	9	13	17.5	22.5	29.5	35	45
G	inch	1.26	1.26	1.50	1.89	2.20	2.52	3.07	3.35
	mm	32	32	38	48	56	64	78	85
Weight	lb.	5.5	5.5	7.75	11.5	19.25	22	40.75	67.25
Bolted B.	kg	2.5	2.5	3.5	5.2	8.7	10	18.5	30.5
Weight	lb.	5	5	7	11	17.5	19.75	37.5	61.75
Welded B.	kg	2.3	2.3	3.2	5	8	9	17	28
PACKING		BH2	BH2	BH2	BH4	BH5	BH6	BY5	BH8
GASKET*		G2	G2	G2	G3	G4	G6	G7	G9

800 LB. STANDARD PORT — BOLTED BONNET FIG. SL 30 - WELDED BONNET FIG. SHWL 30						
SIZE	inch	1/2	3/4	1	1 1/2	2
	mm	15	20	25	40	50
A	inch	3.15	3.54	4.33	5.90	7.09
	mm	80	90	110	150	180
B open	inch	8.07	8.27	9.64	12.40	13.58
	mm	205	210	245	315	345
C	inch	3.46	3.46	3.82	5.43	6.77
	mm	88	88	97	138	172
F	inch	.35	.51	.69	1.16	1.38
	mm	9	13	17.5	29.5	35
G	inch	1.26	1.50	1.89	2.52	3.07
	mm	32	38	48	64	78
Weight	lb.	5.5	6	9.5	19.5	29.75
Bolted B.	kg	2.5	2.7	4.3	8.8	13.5
Weight	lb.	4.75	5.25	7.75	17.75	26
Welded B.	kg	2.2	2.4	3.5	8.1	11.8
PACKING		BH2	BH2	BH4	BH6	BY5
GASKET*		G2	G2	G3	G6	G7

1500 LB. FULL PORT — BOLTED BONNET FIG. 9S 30 - WELDED BONNET FIG. 9SHW 30						
SIZE	inch	1/2	3/4	1	1 1/2	2
	mm	15	20	25	40	50
A	inch	4.33	5	5.90	8.27	9.05
	mm	110	127	150	210	230
B open	inch	11.02	12.60	14.17	17.52	20.08
	mm	280	320	360	445	510
C	inch	5.43	6.77	9.21	12.60	12.60
	mm	138	172	234	320	320
F	inch	.47	.59	.79	1.26	1.57
	mm	12	15	20	32	40
G	inch	1.89	2.20	2.52	3.35	3.74
	mm	48	56	64	85	95
Weight	lb.	10	15.5	19.75	50.75	83.75
Bolted B.	kg	4.5	7	9	23	38
Weight	lb.	8.75	14.25	18.25	48.5	80.5
Welded B.	kg	4	6.5	8.3	22	36.5
PACKING		BH5	2B4	2B4	BH8	9B8
GASKET*		G2	G3	G4	G7	G8

1500 LB. STANDARD PORT — BOLTED BONNET FIG. 9SL 30 - WELDED BONNET FIG. 9SHWL 30						
SIZE	inch	1/2	3/4	1	1 1/2	2
	mm	15	20	25	40	50
A	inch	3.54	4.33	5	7.09	8.27
	mm	90	110	127	180	210
B open	inch	9.45	11.02	12.60	14.17	17.52
	mm	240	280	320	360	445
C	inch	5.43	5.43	6.77	9.21	12.60
	mm	138	138	172	234	320
F	inch	.35	.47	.59	1.06	1.26
	mm	9	12	15	27	32
G	inch	1.50	1.89	2.20	3.07	3.35
	mm	38	48	56	78	85
Weight	lb.	7.75	10	15.5	19.75	50.75
Bolted B.	kg	3.5	4.5	7	9	23
Weight	lb.	6.5	10	14.25	19.5	47.25
Welded B.	kg	3	4.6	6.5	8.9	21.5
PACKING		BH3	BH5	2B4	2B5	BH8
GASKET*		G1	G2	G3	G5	G7