

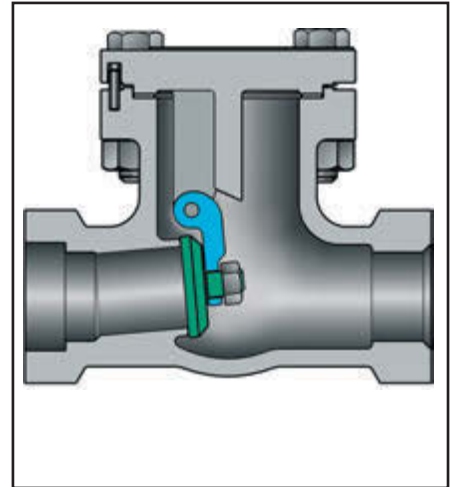
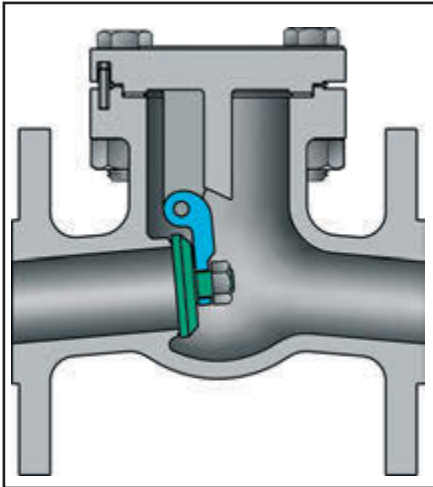
VELAN CAST STAINLESS STEEL SWING CHECK VALVES

INTEGRAL SEAT, FLANGED, WALL THICKNESS TO ASME B16.34

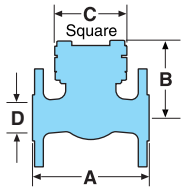
ASME CLASSES 150, 300, NPS ½–1½ (DN 15–40)

**FULL PORT, THREADED, SOCKET WELD OR COMBINATION
WALL THICKNESS TO ASME B16.34**

ASME CLASS 600, NPS ½–1½ (DN 15–40)



Precision high quality investment castings



FLANGED

ASME CLASS	FIGURE NUMBER
150	0114C-13SX or GX
300	1114C-13SX or GX

THREADED/SOCKET WELD

ASME CLASS	FIGURE NUMBER
600	2114C-14SX or GX

STANDARD MATERIALS

PART		MATERIAL
Body		A351 Gr. CF8M
Cover		A351 Gr. CF8M
Disc		A351 Gr. CF8M
Hinge		A351 Gr. CF8M
Pin		Gr. 316
Disc nut		Gr. 8M
Cap screw		Gr. B8M
Cover nut		Gr. 8M
Gasket	SX	PTFE with stainless
	GX	Graphite with stainless
Name plate		Stainless steel

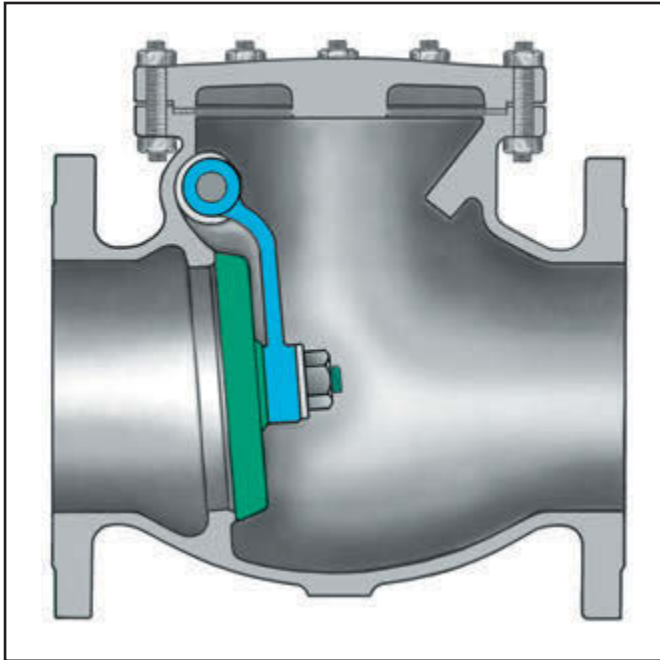
DIMENSIONS AND WEIGHTS

SIZE NPS DN	FLANGED, ASME 150					FLANGED, ASME 300					THREADED - SOCKET WELD, ASME 600				
	A	B	C	D	WEIGHT lb (kg)	A	B	C	D	WEIGHT lb (kg)	A	B	C	D	WEIGHT lb (kg)
½ 15	4.25 108	3.08 78	2.87 73	0.62 15.7	5 2.3	6.00 152	3.16 80	2.87 73	0.62 15.7	7 3.2	3.75 95	3.03 77	3.03 77	0.62 15.7	4 1.8
¾ 20	4.62 117	3.10 79	2.87 73	0.75 19	6 2.7	7.00 178	3.20 81	2.87 73	0.75 19	8 3.6	3.75 95	3.01 76	3.01 76	0.75 19	5 2.3
1 25	5.00 127	3.31 84	3.12 79	1.00 25.4	8 3.6	8.50 216	3.47 88	3.12 79	1.00 25.4	12 5.4	5.00 127	3.26 83	3.26 83	1.00 25.4	7 3.2
1½ 40	6.00 152	4.56 116	4.00 102	1.50 38.1	16 7.3	9.50 241	4.69 119	4.00 102	1.50 38.1	24 10.9	6.00 152	4.48 114	4.48 114	1.50 38.1	12 15.4

VELAN CAST STAINLESS STEEL SWING CHECK VALVES

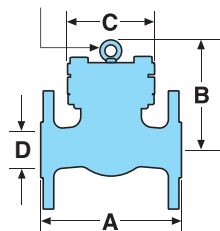
INTEGRAL SEAT, FLANGED, WALL THICKNESS TO B16.34

ASME CLASSES 150, 300, NPS 2–12 (DN 50–300)



Precision high quality investment castings

NPS 6-12
(DN 150-300)



Stainless seat

ASME CLASS	FIGURE NUMBER
150	0114C-13SX or GX
300	1114C-13SX or GX

CoCr alloy seat

ASME CLASS	FIGURE NUMBER
150	0114C-13SY or GY
300	1114C-13SY or GY

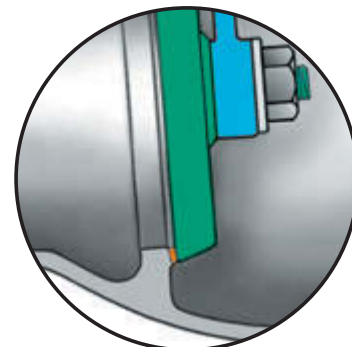
STANDARD MATERIALS

PART	MATERIAL	
Body	A351 Gr. CF8M	
Cover	A351 Gr. CF8M	
Disc	A351 Gr. CF8M	
Hinge	A351 Gr. CF8M	
Pin	Gr. 316	
Plug	Gr. 316	
Disc nut	Gr. 8M	
Washer	Gr. 316	
Cotter pin	Gr. 316	
Cover stud	Gr. B8M	
Cover nut	Gr. 8M	
Gasket	SX or SY	PTFE with stainless wire mesh
	GX or GY	Graphite with stainless foil
Name plate	Stainless steel	

DIMENSIONS AND WEIGHTS

SIZE NPS DN	FLANGED, ASME 150					FLANGED, ASME 300				
	A	B	C	D	WEIGHT lb (kg)	A	B	C	D	WEIGHT lb (kg)
2	8.00	4.00	4.00 ⁽¹⁾	2.00	21	10.50	5.61	4.50 ⁽¹⁾	2.00	42
50	203	102	102	51	9.5	267	143	116	51	19.1
2½	8.50	5.50	5.50	2.50	30	11.50	5.76	6.50	2.50	55
65	216	140	140	64	13.6	292	146	165	64	24.9
3	9.50	5.88	6.75	3.00	43	12.50	7.00	8.06	3.00	80
80	241	150	172	76	19.5	318	178	205	76	36.4
4	11.50	6.69	8.00	4.00	68	14.00	7.81	9.00	4.00	118
100	292	170	203	102	30.9	356	199	229	102	53.6
6	14.00	10.35	10.00	6.00	128	17.50	11.41	11.19	6.00	212
150	356	203	254	152	58.2	445	290	284	152	96.4
8	19.50	12.19	13.25	8.00	226	21.00	13.70	13.25	8.00	330
200	495	310	337	203	102.7	533	348	337	203	150.0
10	24.50	14.38	16.00	10.00	317	24.50	15.93	17.12	10.00	528
250	622	366	406	254	143.8	622	405	435	254	240.0
12	27.50	16.13	19.00	12.00	530	28.00	18.40	20.34	12.00	802
300	699	410	482	305	240.9	711	468	517	305	364

(1) Square



Optional integral CoCr alloy seat face available for longer service life.