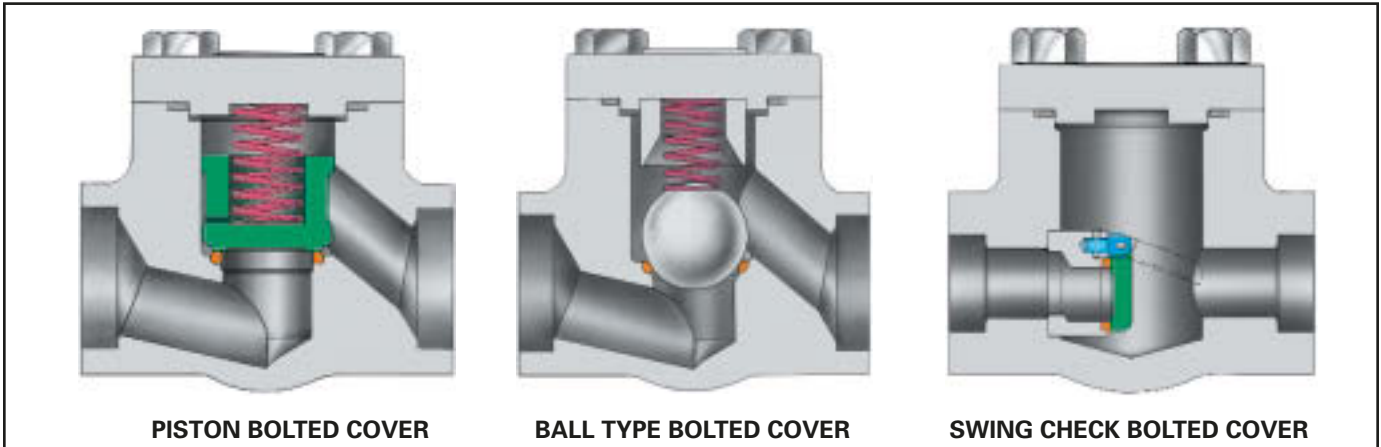




**FORGED ¼–2" (8–50 mm) AND 2–36" (50–900 mm)
STAINLESS OR ALLOY STEEL,
PISTON, SWING CHECK & BALL VALVES ¼–2" (8–50 mm)**
FORGED ASME CLASSES 150–2500,
CAST 2–36" (50–900 mm) ASME CLASSES 150–2500

FORGED STEEL

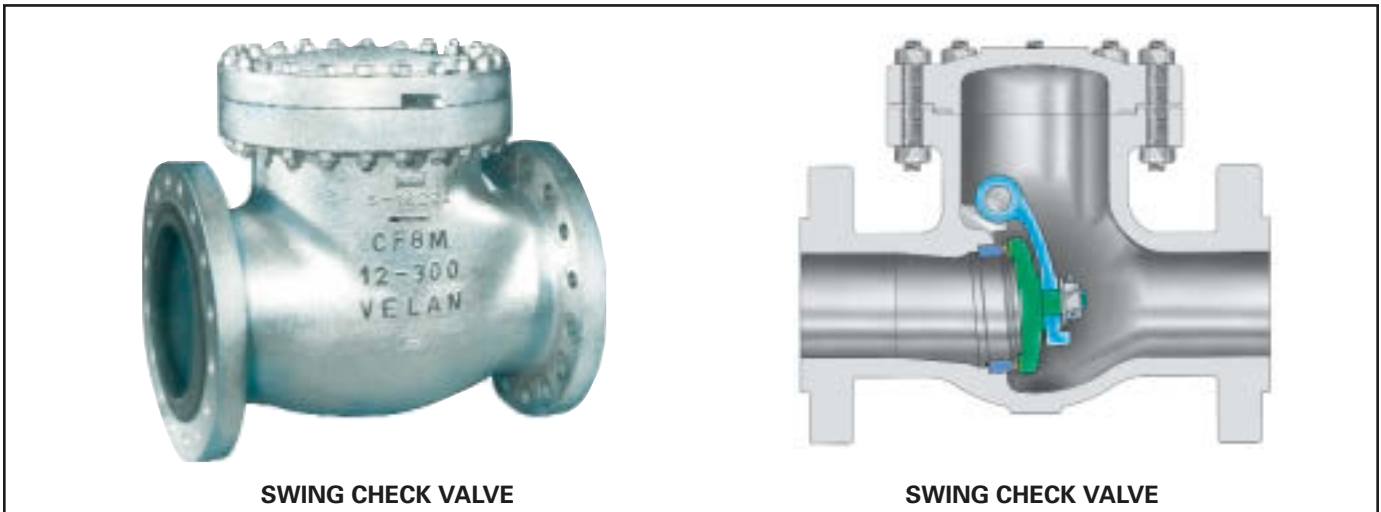


PISTON BOLTED COVER

BALL TYPE BOLTED COVER

SWING CHECK BOLTED COVER

CAST STEEL



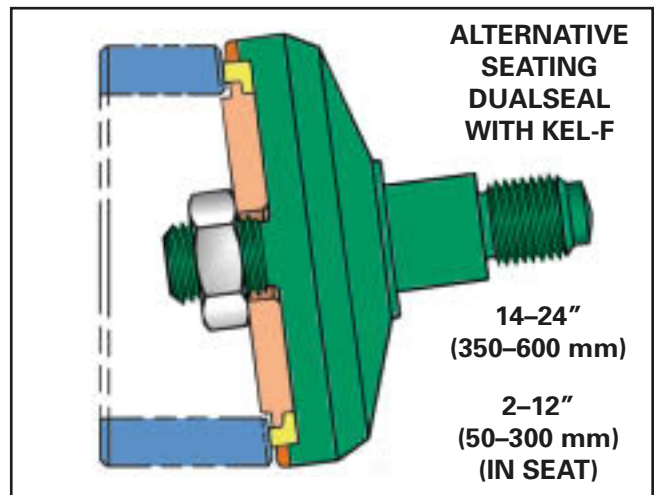
SWING CHECK VALVE

SWING CHECK VALVE

PART	STANDARD MATERIALS	
	FORGED	CAST
Body	316	CF8M
Seat	Integral Stellite 6	Stellite 6 faced F316
Hinge pin	316	SS 630 or 660
Gasket	Spiral SS/graphite	
Cover stud	B8M	B8M
Cover nut	Grade 2H B8M	Gr. 8M
Cover	316	CF8M
Washer	Commercial	
Disc	316	CF8M
Disc hanger	CF8M	CF8M
Disc nut	Gr. 8M	Gr. 8M

UNIQUE FEATURES OF SWING CHECKS

- **DISC SHAFT**
does not penetrate body.
- **DISC**
securely attached to hanger.
- **BODY-BONNET BOLTING**
can be live loaded for fluctuating temperatures.



ALTERNATIVE SEATING DUALSEAL WITH KEL-F

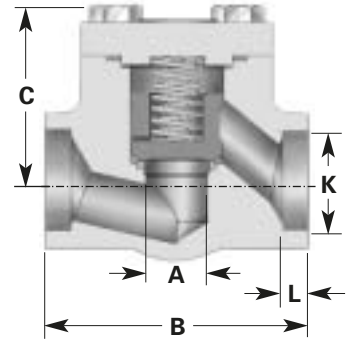
14–24" (350–600 mm)

2–12" (50–300 mm) (IN SEAT)

FOR TIGHT SEATING

DESIGN SPECIFICATIONS

ITEM	APPLICABLE SPECIFICATION
Wall thickness and general valve design	API 602 (forged) API 600 (cast)
Pressure-temperature rating	ASME B16.34
Face-to-face dimensions for butt weld and flanged valves	ASME B16.10
Flange design	ASME B16.5
Butt welding design	ASME B16.25
Materials	ASTM



BOLTED COVER PISTON AND BALL CHECK DIMENSIONS AND WEIGHTS

SIZE in mm	A Port		B End-to-End		C Center- Top Bolts		K Socket Weld Bore	L Socket Weld Depth	Weight lb kg		Flanged Valves Face to Face			
	800	1500	800	1500	800	1500			800	1500	150	300	600	1500
1/4 8	0.31 8	0.45 11	2.88 73	4.00 102	1.75 44	2.6 66	0.555 14.10	0.38 10	2.00 0.9	4.00 1.8	4.00 102	-	-	-
3/8 10	0.31 8	0.45 11	2.88 73	4.00 102	1.75 44	2.6 66	0.690 17.53	0.38 10	2.00 0.9	4.00 1.8	4.00 102	-	-	-
1/2 15	0.31 8	0.45 11	2.88 73	4.00 102	1.75 44	2.6 66	0.855 21.72	0.38 10	2.00 0.9	4.00 1.8	4.25 108	6.00 152	6.50 165	8.50 216
3/4 20	0.50 13	0.63 16	3.25 83	5.00 127	2.1 53	2.8 71	1.065 27.05	0.50 13	3.00 1.3	6.00 2.7	4.62 117	7.00 178	7.50 190	9.00 227
1 25	0.75 19	1.00 25	3.50 89	6.00 152	2.3 58	3.4 86	1.330 33.78	0.50 13	4.00 1.8	11.00 5.0	5.00 127	8.00 203	8.50 216	10.00 254
1 1/4 32	1.25 32	1.31 33	5.00 127	7.00 178	3.3 84	3.9 99	1.675 42.55	0.50 13	11.00 5.0	17.00 7.7	5.50 140	8.50 221	9.00 227	11.00 279
1 1/2 40	1.25 32	1.31 33	5.00 127	7.00 178	3.3 84	3.9 99	1.915 48.64	0.50 13	11.00 5.0	17.00 7.7	6.50 165	9.00 227	9.50 241	12.00 305
2 50	1.50 38	1.75 44	8.00 203	9.00 229	4.3 109	4.4 112	2.406 61.11	0.63 16	20.00 9.0	24.00 10.9	8.00 203	10.50 267	11.50 292	14.50 268

CHECK VALVE DIMENSIONS

SIZE in mm	ASME 150 (PN 20)				ASME 300 (PN 50)				ASME 600 (PN 100)				ASME 900 (PN 150)				ASME 1500 (PN 250)			
	A	B	C	D	A	B	C	D	A	B	C	D	A	B	C	D	A	B	C	D
2 50	8.00 203	5.75 146	2.00 51	6.75 171	10.50 267	6.00 152	2.00 51	6.75 171	11.50 292	6.25 159	2.00 51	6.75 171	14.50 368	9.50 241	1.88 48	8.63 219	14.50 368	9.50 241	1.88 48	8.63 219
2 1/2 65	8.50 216	6.13 156	2.50 64	6.75 171	11.50 292	6.25 159	2.50 64	6.75 171	13.00 330	6.38 162	2.50 64	7.50 191	16.50 419	10.00 254	2.25 57	9.25 235	16.50 419	10.00 254	2.25 57	9.25 235
3 80	9.50 241	7.63 194	3.00 76	8.50 216	12.50 318	7.63 194	3.00 76	8.50 216	14.00 356	8.63 219	3.00 76	9.63 245	15.00 381	10.38 264	2.88 73	10.50 267	18.50 470	11.19 284	2.75 70	10.50 267
4 100	11.50 292	8.63 219	4.00 102	10.00 257	14.00 356	8.63 219	4.00 102	10.00 254	17.00 432	9.13 232	4.00 102	12.00 305	18.00 457	11.69 297	3.88 99	12.25 311	21.50 546	12.00 305	3.63 92	12.25 311
6 150	14.00 356	10.75 273	6.00 152	12.50 318	17.50 445	10.75 273	6.00 152	12.50 318	22.00 559	11.50 292	6.00 152	15.75 400	24.00 610	15.00 381	5.75 146	15.25 387	27.75 705	16.50 419	5.38 137	16.00 406
8 200	19.50 495	12.75 324	8.00 203	15.75 400	21.00 533	12.75 324	8.00 203	15.75 400	26.00 660	13.50 343	7.88 200	15.75 400	29.00 737	19.25 489	7.50 191	18.38 467	32.75 832	20.87 530	7.00 178	20.75 527
10 250	24.50 622	15.38 391	10.00 254	18.50 470	24.50 622	16.13 410	10.00 254	18.50 470	31.00 787	16.37 416	10.00 254	19.50 495	-	-	-	-	-	-	-	-
12 300	27.50 699	16.88 429	12.00 305	20.50 521	28.00 711	17.00 432	12.00 305	20.50 521	33.00 838	18.13 461	12.00 305	22.50 572	-	-	-	-	-	-	-	-
14 350	31.00 787	19.63 499	13.25 337	23.00 584	33.00 838	19.63 499	13.25 337	23.00 584	35.00 889	20.93 532	12.88 327	26.25 667	-	-	-	-	-	-	-	-
16 400	34.00 864	22.00 559	15.25 387	26.50 673	34.00 864	22.50 572	15.25 387	26.50 673	39.00 991	23.38 594	14.75 375	28.25 718	-	-	-	-	-	-	-	-
18 450	38.50 978	25.00 635	17.13 435	28.50 724	38.50 978	25.00 635	17.13 435	28.50 724	43.00 1092	24.00 610	16.50 419	30.25 768	-	-	-	-	-	-	-	-
20 500	38.50 978	26.50 673	19.00 483	31.50 800	40.00 1016	26.50 673	19.00 483	31.50 800	47.00 1194	26.00 660	18.25 464	39.00 991	-	-	-	-	-	-	-	-
24 600	51.00 1295	31.25 794	23.25 591	37.00 940	53.00 1346	31.25 794	23.25 591	37.00 940	55.00 1397	30.50 775	22.00 559	39.75 1010	-	-	-	-	-	-	-	-
30 750	60.00 1524	37.00 940	29.75 743	44.63 1134																
36 900	77.00 1956	41.88 1064	35.25 895	53.00 1346																

