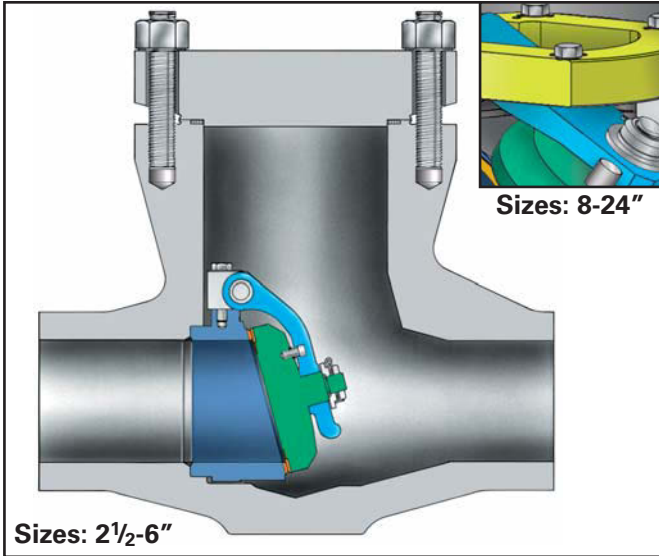




# BOLTED COVER SWING CHECK VALVES CARBON, ALLOY OR STAINLESS STEEL

ASME CLASSES 150–900, 2½–24" (65–600 mm)  
ASME CLASS 1500, 2½–16" (65–400 mm)



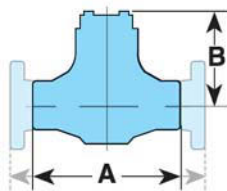
## STANDARD MATERIALS

PART	MATERIAL			
Body <sup>(1)</sup>	A105	A182 Gr. F11	A182 Gr. F22	A182 Gr. F316
Cover <sup>(1)</sup>				
Seat <sup>(1)(2)</sup>	A105	A 182 Gr. F11	A 182 Gr. F22	A 182 Gr. F316
Disc <sup>(1)(2)</sup>	A 216 Gr. WCB or	A 217 Gr. WC6	A 217 Gr. WC9	A 351 Gr. CF8M or
Hanger	Carbon steel			Stainless
Hex head bolt	Alloy steel			
Lock washer	Stainless			
Hinge pin	Gr. 410			Gr.630 or Gr.660
Bushing	Stellite 6			
Gasket <sup>(1)</sup>	Spiral wound stainless and graphite			
Body/cover stud	Gr. B7	Gr. B16		Gr. B8M or Gr.630
Body/cover nut	Gr. 2H	Gr. 4		Gr. 8M

(1) Other materials available. (2) Stellite.

**CAUTION:** For other than horizontal line orientations see pgs. 50-51, or contact Velan Engineering.

CLASS	FIG. NO.
150	0114B
300	1114B
600	2114B
900	7114B
1500	3114B



Flange dimensions are in accordance with ASME B16.5. Flanges are welded on.

## FLOW COEFFICIENTS Cv \*

SIZE in (mm)	CLASS				SIZE in (mm)	CLASS			
	150/300	600	900	1500		150/300	600	900	1500
2½ (65)	170	170	170	170	12 (300)	3500	3500	2800	2800
3 (80)	170	170	170	170	14 (350)	5300	5300	3650	3650
4 (100)	295	295	295	295	16 (400)	7000	7000	6000	4850
6 (150)	830	830	700	700	18 (450)	8400	8400	7300	—
8 (200)	1525	1525	1125	1125	20 (500)	10,500	10,500	9000	—
10 (250)	2400	2400	1700	1700	24 (600)	15,000	15,000	13,500	—

\* Kv = Cv x 0.85

## DESIGN FEATURES:

- Stronger, leakproof bolted body bonnet joint. (See page 11.)
- No penetration of hinge pin to outside eliminates pin seal leakage and provides in-line service.
- Compact cage unit. All moving parts are attached to the carrier and can be removed easily for service.
- Forged seat/disc\* is Stellite, ground and lapped to a mirror finish for maximum erosion resistance and long service life. It is seal-welded to the body.
- Disc can partially rotate for tight shutoff. In the fully open position, it rests against a stop.
- Stellite bearings for hinge pin.
- Easy in-line service. Seating faces can be re-lapped.
- Forged Bonnet

\* Cast option available

## DIMENSIONS – BUTT WELD END

SIZE in mm	ASME 150 (PN 20)			ASME 300 (PN 50)			ASME 600 (PN 100)			ASME 900 (PN 150)			ASME 1500 (PN 250)		
	A	B	lb kg	A	B	lb kg	A	B	lb kg	A	B	lb kg	A	B	lb kg
2½ 65	8.50 216	7.00 178	50 23	11.50 292	7.00 178	50 23	13.00 330	7.00 178	50 23	10.00 254	7.00 178	50 23	10.00 254	7.00 178	50 23
3 80	9.50 241	9.00 229	100 45	12.50 318	9.00 229	100 45	10.00 254	9.00 229	100 45	12.00 305	9.50 241	100 45	12.00 305	9.50 241	100 45
4 100	11.50 292	10.56 268	150 68	14.00 356	10.56 268	150 68	12.00 305	10.56 268	150 68	14.00 356	10.75 273	150 68	16.00 406	10.75 273	150 68
6 150	14.00 356	13.13 333	300 136	17.50 445	13.13 333	300 136	18.00 457	13.13 333	300 136	20.00 508	16.25 413	450 204	22.00 559	16.50 419	450 204
8 200	19.50 495	16.19 411	700 318	21.00 533	16.19 411	700 318	23.00 584	16.19 411	700 318	26.00 660	19.50 495	850 386	28.00 711	19.50 495	850 386
10 250	24.50 622	19.50 495	800 363	24.50 622	19.50 495	800 363	28.00 711	19.50 495	800 363	31.00 787	21.75 552	1000 454	34.00 864	21.75 552	1000 454
12 300	27.50 699	22.69 576	1200 544	28.00 711	22.69 576	1200 544	32.00 813	22.69 576	1200 544	36.00 914	28.13 715	3000 1361	39.00 991	28.13 715	3000 1361
14 350	31.00 787	23.88 606	1400 635	33.00 838	23.88 606	1400 635	35.00 889	23.88 606	1400 635	39.00 991	26.50 673	3000 1361	39.00 991	27.50 699	3000 1361
16 400	34.00 864	29.00 737	2000 907	34.00 864	29.00 737	2500 1134	39.00 991	30.00 762	2500 1134	43.00 1092	31.00 787	3350 1520	47.00 1194	31.00 787	3350 1520
18 450	38.50 978	22.88 581	2300 1043	38.50 978	22.88 581	3000 1360	43.00 1092	24.38 619	3000 1360	48.00 <sup>(3)</sup> 1219	24.38 619	4000 1814	—	—	—
20 500	38.50 978	26.00 660	3000 1360	40.00 1016	26.00 660	3600 1633	47.00 1194	27.00 686	3600 1633	47.00 <sup>(3)</sup> 1194	27.00 686	5000 2268	—	—	—
24 600	51.00 1295	31.00 787	5000 2268	53.00 1346	31.00 787	5500 2495	55.00 1397	31.00 787	5500 2495	55.00 <sup>(3)</sup> 1397	31.00 787	7000 3175	—	—	—

(3) The following valves do not meet the ASME B16.10 end to end dimensions.