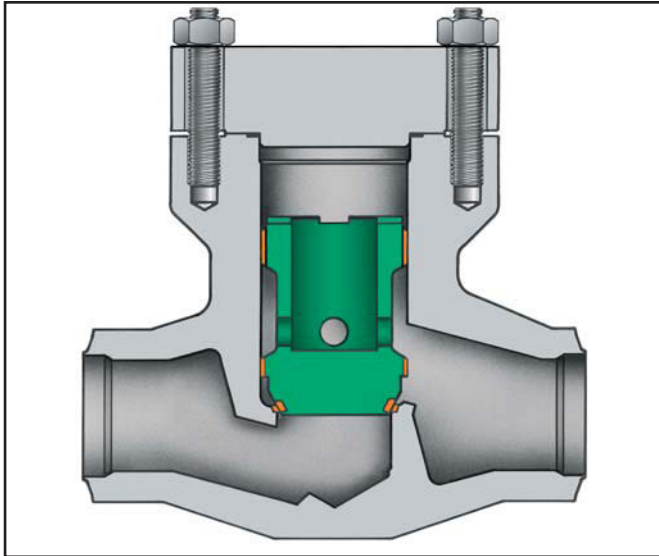




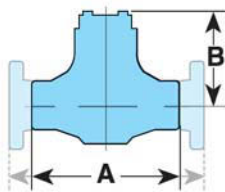
BOLTED COVER PISTON CHECK VALVES CARBON, ALLOY OR STAINLESS STEEL

ASME CLASSES 150–1500, 2½–14" (65–350 mm)



CAUTION: For other than horizontal line orientations see pgs. 50-51, or contact Velan Engineering.

CLASS	FIG. NO.
150	0034B
300	1034B
600	2034B
900	7034B
1500	3034B



Flange dimensions are in accordance with ASME B16.5. Flanges are welded on.

STANDARD MATERIALS

PART	MATERIAL			
Body ⁽¹⁾⁽²⁾	A 105	A 182	A 182	A 182
Cover ⁽¹⁾	A 105	Gr. F11	Gr. F22	Gr. F316
Disc ⁽¹⁾⁽²⁾	A 105 or A 216 Gr. WCB	A 182 Gr. F11 or A 217 Gr. WC6	A 182 Gr. F22 or A 217 Gr. WC9	A 182 Gr. F316 or A 351 Gr. CF8M
Gasket ⁽¹⁾	Spiral wound stainless and graphite			
Cover stud	Gr. B7			Gr. B8M or 630
Cover nut	Gr. 2H	Gr. 24		Gr. 8M

(1) Other materials available.

(2) Stellite. Seat integral Stellite 6 on 12" and 14" cast.

FLOW COEFFICIENT CV*

SIZE in (mm)	CLASS			
	150/300	600	900	1500
2½ (65)	65	65	45	45
3 (80)	100	100	65	65
4 (100)	170	170	110	110
6 (150)	375	375	350	350
8 (200)	710	710	640	425
10 (250)	1000	1000	710	710
12 (300)	1550	1550	1050	960
14 (350)	2175	2175	1475	960

* $K_v = C_v \times 0.85$

DESIGN FEATURES:

- Stronger, leakproof bolted body bonnet joint. (See page 11.)
- Low pressure drop compared to vertical globe valves.
- Excellent resistance to thermal changes.
- Forged bonnet ring is centered by the body bore and provides perfect sealing surface for the pressure seal gasket.
- Quick and easy repair in the line.
- Seat integrally Stellite
Gives maximum resistance to wear, erosion and distortion due to high temperature changes and piping loads.
- Equalizer piping for safe operation.

DIMENSIONS – BUTT WELD END

SIZE in mm	ASME 150 (PN 20)			ASME 300 (PN 50)			ASME 600 (PN 100)			ASME 900 (PN 150)			ASME 1500 (PN 250)		
	A	B	lb ⁽³⁾ kg	A	B	lb ⁽³⁾ kg	A	B	lb ⁽³⁾ kg	A	B	lb ⁽³⁾ kg	A	B	lb ⁽³⁾ kg
2½ 65	8.50 216	6.62 168	50 23	11.50 292	6.62 168	50 23	8.50 216	6.62 168	50 23	10.00 254	6.62 168	55 25	10.00 254	6.62 168	55 25
3 80	9.50 241	9.31 236	100 45	12.50 318	9.31 236	100 45	10.00 254	9.31 236	100 45	12.00 305	9.75 248	105 48	12.00 305	9.75 248	105 48
4 100	11.50 292	10.38 264	140 64	14.00 356	10.38 264	150 68	14.00 356	10.38 264	150 68	14.00 356	10.38 264	150 68	16.00 406	11.69 297	160 73
6 150	14.00 356	16.75 425	300 136	17.50 445	16.75 425	330 150	18.00 457	16.75 425	340 154	20.00 508	16.75 425	200 90	22.00 559	16.75 425	450 204
8 200	19.50 495	17.38 441	700 318	21.00 533	17.38 441	740 336	26.00 660	17.38 441	800 363	26.00 660	17.38 441	850 386	28.00 711	17.38 441	900 408
10 250	24.50 622	21.68 551	800 363	24.50 622	21.68 551	800 363	28.00 711	21.68 551	900 408	31.00 787	21.68 551	1000 454	34.00 839	21.68 551	1100 499
12 300	–	–	–	–	–	–	–	–	–	38.00 965	17.00 432	1850 839	44.50 1130	18.00 457	2250 1020
14 350	–	–	–	–	–	–	–	–	–	40.50 1029	17.00 432	1850 839	44.50 1130	18.00 457	2250 1020

(3) Weights shown are for forged valves. For weights of cast steel valves, please contact Velan's Engineering Dept.