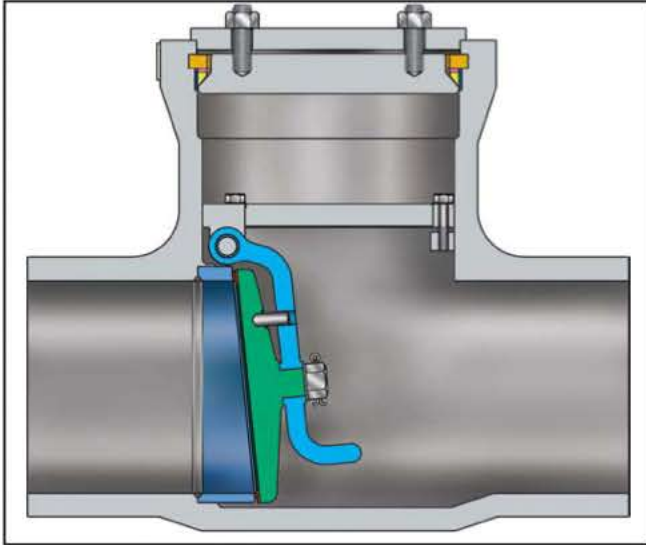


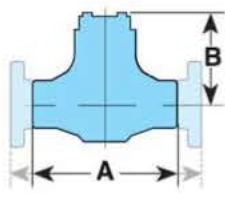


PRESSURE SEAL SWING CHECK VALVES
CARBON, ALLOY OR STAINLESS STEEL
ASME CLASSES 600–2500, 2–24" (50–600 mm)



CAUTION: For other than horizontal line orientations see pgs. 50-51, or contact Velan Engineering.

CLASS	FIG. NO.
600	2114P/2114K
900	7114P/7114K
1500	3114P/3114K
2500	4114P/4114K



Flange dimensions are in accordance with ASME B16.5. Flanges are welded on.

STANDARD MATERIALS

PART	MATERIAL				
	A 105 or A 216 Gr. WCB	A 182 Gr. F11 or A 217Gr. WC6	A 182 Gr. F22 or A 217 Gr. WC9	A 182 Gr. F91	A 182 Gr. F316 or A 351 Gr. CF8M
Body ⁽¹⁾	A 105 or A 216 Gr. WCB	A 182 Gr. F11 or A 217Gr. WC6	A 182 Gr. F22 or A 217 Gr. WC9	A 182 Gr. F91	A 182 Gr. F316 or A 351 Gr. CF8M
Cover ⁽¹⁾	A 105 or A 216 Gr. WCB	A 182 Gr. F11 or A 217 Gr. WC6	A 182 Gr. F22 or A 217 Gr. WC9	A 182 Gr. F91	A 182 Gr. F316 or A 351 Gr. CF8M
Seat ⁽¹⁾⁽²⁾	A 105 or A 216 Gr. WCB	A 182 Gr. F11 or A 217 Gr. WC6	A 182 Gr. F22 or A 217 Gr. WC9	A 182 Gr. F91	A 182 Gr. F316 or A 351 Gr. CF8M
Disc ⁽¹⁾⁽²⁾	A 105 or A 216 Gr. WCB	A 182 Gr. F11 or A 217 Gr. WC6	A 182 Gr. F22 or A 217 Gr. WC9	A 182 Gr. F91	A 182 Gr. F316 or A 351 Gr. CF8M
Hanger	Stainless				
Hex head bolt	Alloy steel				Stainless
Lock washer	Stainless				
Hinge pin	Gr. 410				Gr. 630 or Gr. 660
Bushing	Stellite 6				
Gasket ⁽¹⁾	Soft carbon steel - silver plated or Graphite/SS 316				
Gasket retainer	A 182 Gr. F6a Cl.4				
Spacer ring	Gr. 4140 option Ni or Cad plated or SS				
Cover plate	Carbon steel				
Cover stud	Gr. B7				
Cover nut	Gr. 2H				

(1) Other materials available, including Graphite. (2) Stellite.

FLOW COEFFICIENT CV*

SIZE in (mm)	CLASS				SIZE in (mm)	CLASS			
	600	900	1500	2500		600	900	1500	2500
2 (50)	65	65	65	65	12 (300)	3650	3000	3000	1650
2½ (65)	95	95	95	65	14 (350)	5500	3000	3000	1700
3 (80)	170	170	170	95	16 (400)	6000	4850	4850	3300
4 (100)	295	295	295	170	18 (450)	6250	6250	6250	4200
6 (150)	700	700	700	400	20 (500)	9000	9000	7700	5100
8 (200)	1125	1125	1125	750	24 (600)	13500	13500	11500	6400
10 (250)	1700	1700	1700	1125					

* Kv = Cv x 0.85

Note: for cast valve Cv values, contact Velan.

DESIGN FEATURES:

- **Advanced pressure seal design.**
(See page 10 for details.)
- **No penetration of hinge pin to outside.**
Eliminates pin seal leakage and provides in-line service.
- **Compact cage unit.**
All moving parts are attached to the carrier and can be removed easily for service.
- **Forged seat/disc is Stellite,** ground and lapped to a mirror finish for maximum erosion resistance and long service life. It is seal-welded to the body.
- **Disc can partially rotate for tight shutoff.**
In the fully open position, it rests against a stop.
- **Stellite bearings for hinge pin.**
- **Easy in-line service.**
All parts are easily accessible for maintenance. Seating faces can be re-lapped.
- **Forged bonnet.**

DIMENSIONS – BUTT WELD END

SIZE in mm	ASME 600 (PN 100)			ASME 900 (PN 150)			ASME 1500 (PN 250)			ASME 2500 (PN 420)		
	A	B	lb ⁽⁴⁾ kg	A	B	lb ⁽⁴⁾ kg	A	B	lb ⁽⁴⁾ kg	A	B	lb ⁽⁴⁾ kg
2	8.50 ⁽³⁾	7.75	75	10.00 ⁽³⁾	7.75	75	8.50	5.75	75	11.00	5.63	100
50	216	197	34	254	197	34	216	146	34	279	143	45
2½	8.50	7.75	75	10.00	7.75	75	10.00	7.75	75	10.00 ⁽³⁾	5.75	100
65	216	197	34	254	197	34	254	197	34	254	146	45
3	10.00	7.75	100	12.00	7.75	100	12.00	7.75	100	14.50	7.81	125
80	254	197	45	305	197	45	305	197	45	368	198	57
4	12.00	9.50	150	14.00	9.50	150	16.00	9.50	150	18.00	9.38	175
100	305	241	68	356	241	68	406	241	68	457	238	79
6	18.00	14.75	500	20.00	14.75	500	22.00	14.75	500	24.00	15.50	575
150	457	375	227	508	375	227	559	375	227	610	394	261
8	23.00	17.50	800	26.00	17.50	800	28.00	17.50	800	30.00	18.00	1000
200	584	445	363	660	445	363	711	445	363	762	457	454
10	28.00	19.88	1300	31.00	19.88	1300	34.00	19.88	1350	36.00	19.25	1500
250	711	505	590	787	505	590	864	505	612	914	489	680
12	32.00	23.88	3000	36.00	23.88	3000	39.00	23.88	3000	41.00	23.75	3300
300	813	607	1361	914	607	1361	991	607	1361	1041	603	1497
14	35.00	23.88	3000	39.00	23.88	3000	42.00	23.88	3000	44.00	23.13	3300
350	889	607	1361	991	607	1361	1067	607	1361	1118	588	1497
16	39.00	28.62	3700	43.00	28.62	3850	47.00	28.62	4000	49.00	30.00	4500
400	991	727	1678	1092	727	1746	1194	727	1814	1245	762	2041
18	43.00	31.53	4200	43.00 ⁽³⁾	31.53	4200	43.00 ⁽³⁾	31.53	4500	44.00	31.66	5800
450	1092	801	1905	1092	801	1905	1092	801	2041	1118	804	2631
20	47.00	28.32	5300	47.00 ⁽³⁾	28.32	5300	47.00 ⁽³⁾	28.32	5300	48.00	31.42	6500
500	1194	719	2404	1194	719	2404	1194	719	2404	1219	798	2962
24	55.00	29.25	7200	55.00 ⁽³⁾	29.25	7200	55.00 ⁽³⁾	29.25	7200	55.00	34.81	9900
600	1397	743	3266	1397	743	3266	1397	743	3266	1381	884	4991

(3) The following valves do not meet the ASME B16.10 end to end dimensions.

(4) Weights shown are for forged valves. For weights of cast steel valves, please contact Velan's Engineering Dept.