



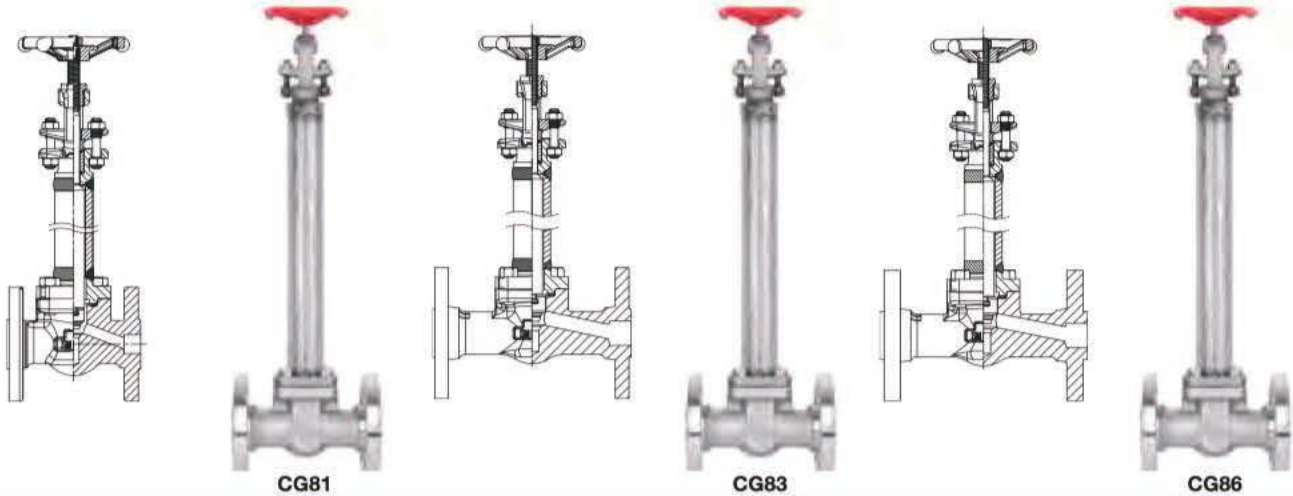
CG81-CG83-CG86 Cryogenic Globe Valves

Forged Steel OS&Y

Valves comply with applicable portions of API 602 and ASME B16.34

Class 150/300/600

1/2" - 2"



CLASS 150 CRYOGENIC BOLTED BONNET GLOBE VALVE - FLANGED ENDS - INCHES (MM)

VALVE SIZE NPS (DN)	FACE TO FACE	CENTER TO TOP (OPEN)	HANDWHEEL DIAMETER	PORT DIAMETER	FLANGE DIAMETER	RAISED DIAMETER	BOLT HOLE	BOLT HOLE DIAMETER	BOLT CIRCLE	APPROX. WT LBS (KG)
1/2 (15)	4.25 (108)	18.31 (465)	4.00 (102)	0.38 (10)	3.54 (90)	1.38 (35)	4	0.63 (16)	2.38 (60)	10.8 (4.9)
3/4 (20)	4.63 (118)	18.50 (470)	4.00 (102)	0.50 (13)	3.94 (100)	1.69 (43)	4	0.63 (16)	2.75 (70)	13.3 (6.0)
1 (25)	5.00 (127)	18.75 (476)	4.00 (102)	0.75 (19)	4.33 (110)	2.00 (51)	4	0.63 (16)	3.13 (79)	15.2 (6.9)
1 1/2 (40)	6.50 (165)	20.13 (511)	5.50 (140)	1.19 (30)	5.00 (127)	2.88 (73)	4	0.63 (16)	3.88 (98)	25.0 (11.3)
2 (50)	8.00 (203)	21.94 (557)	6.63 (168)	1.44 (37)	6.00 (152)	3.63 (92)	4	0.75 (19)	4.75 (121)	42.2 (19.1)

CLASS 300 CRYOGENIC BOLTED BONNET GLOBE VALVE - FLANGED ENDS - INCHES (MM)

VALVE SIZE NPS (DN)	FACE TO FACE	CENTER TO TOP (OPEN)	HANDWHEEL DIAMETER	PORT DIAMETER	FLANGE DIAMETER	RAISED DIAMETER	BOLT HOLE	BOLT HOLE DIAMETER	BOLT CIRCLE	APPROX. WT LBS (KG)
1/2 (15)	6.00 (152)	18.31 (465)	4.00 (102)	0.38 (10)	3.75 (95)	1.38 (35)	4	0.63 (16)	2.63 (67)	11.3 (5.1)
3/4 (20)	7.00 (178)	18.50 (470)	4.00 (102)	0.50 (13)	4.63 (118)	1.69 (43)	4	0.75 (19)	3.25 (83)	14.5 (6.6)
1 (25)	8.00 (203)	19.13 (486)	4.00 (102)	0.75 (19)	4.94 (125)	2.00 (51)	4	0.75 (19)	3.50 (89)	18.2 (8.3)
1 1/2 (40)	9.02 (229)	21.00 (533)	4.63 (118)	1.19 (30)	6.13 (156)	2.88 (73)	4	0.88 (22)	4.50 (114)	31.3 (14.2)
2 (50)	10.51 (267)	22.63 (575)	6.63 (168)	1.44 (37)	6.50 (165)	3.63 (92)	8	0.75 (19)	5.00 (127)	44.2 (20.1)

CLASS 600 CRYOGENIC BOLTED BONNET GLOBE VALVE - FLANGED ENDS - INCHES (MM)

VALVE SIZE NPS (DN)	FACE TO FACE	CENTER TO TOP (OPEN)	HANDWHEEL DIAMETER	PORT DIAMETER	FLANGE DIAMETER	RAISED DIAMETER	BOLT HOLE	BOLT HOLE DIAMETER	BOLT CIRCLE	APPROX. WT LBS (KG)
1/2 (15)	6.50 (165)	18.19 (462)	4.00 (102)	0.39 (10)	3.75 (95)	1.38 (35)	4	0.63 (16)	2.63 (67)	11.8 (5.4)
3/4 (20)	7.50 (191)	18.38 (467)	4.00 (102)	0.50 (13)	4.63 (118)	1.69 (43)	4	0.75 (19)	3.25 (83)	16.0 (7.3)
1 (25)	8.50 (216)	19.81 (503)	4.00 (102)	0.75 (19)	4.94 (125)	2.00 (51)	4	0.75 (19)	3.50 (89)	20.5 (9.3)
1 1/2 (40)	9.50 (241)	21.13 (537)	5.50 (140)	1.19 (30)	6.13 (156)	2.88 (73)	4	0.88 (22)	4.50 (114)	37.2 (16.9)
2 (50)	11.50 (292)	23.00 (584)	6.63 (168)	1.44 (37)	6.50 (165)	3.63 (92)	8	0.75 (19)	5.00 (127)	53.9 (24.4)