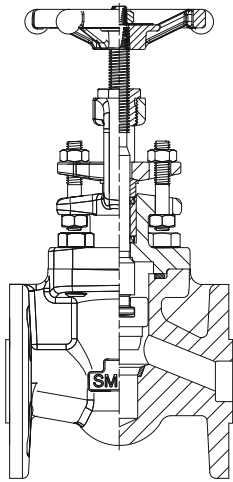




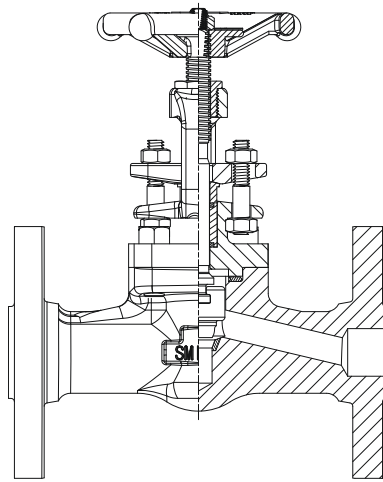
# OG81-OG83 Globe Valves

**Forged Steel OS&Y**  
Valves comply with applicable portions of API 602 and ASME B16.34

**Class 150/300**  
**1/2" - 2"**



OG81



OG83

### CLASS 150 BOLTED BONNET GLOBE VALVE - FLANGED ENDS - INCHES (MM)

VALVE SIZE NPS (DIN)	FACE TO FACE	CENTER TO TOP (OPEN)	HANDWHEEL DIAMETER	PORT DIAMETER	FLANGE DIAMETER	RAISED DIAMETER	BOLT HOLE	BOLT HOLE DIAMETER	BOLT CIRCLE	APPROX. WEIGHT LBS (KG)
1/2 (15)	4.25 (108)	5.69 (144)	3.25 (83)	0.38 (10)	3.54 (90)	1.38 (35)	4	0.63 (16)	2.38 (61)	3.7 (1.7)
3/4 (20)	4.63 (118)	5.94 (151)	3.94 (100)	0.50 (13)	3.94 (100)	1.69 (43)	4	0.63 (16)	2.75 (70)	5.3 (2.4)
1 (25)	5.00 (127)	6.75 (171)	3.94 (100)	0.75 (19)	4.25 (108)	2.00 (51)	4	0.63 (16)	3.13 (79)	9.8 (4.4)
1 1/2 (40)	6.50 (165)	8.44 (214)	5.50 (140)	1.19 (30)	5.00 (127)	2.88 (73)	4	0.63 (16)	3.88 (98)	18.5 (8.4)
2 (50)	8.00 (203)	9.69 (246)	6.25 (159)	1.44 (37)	6.00 (152)	3.63 (92)	4	0.75 (19)	4.75 (121)	36.0 (16.3)

### CLASS 300 BOLTED BONNET GLOBE VALVE - FLANGED ENDS - INCHES (MM)

VALVE SIZE NPS (DIN)	FACE TO FACE	CENTER TO TOP (OPEN)	HANDWHEEL DIAMETER	PORT DIAMETER	FLANGE DIAMETER	RAISED DIAMETER	BOLT HOLE	BOLT HOLE DIAMETER	BOLT CIRCLE	APPROX. WEIGHT LBS (KG)
1/2 (15)	6.00 (152)	6.31 (160)	4.00 (102)	0.38 (10)	3.75 (95)	1.38 (35)	4	0.63 (16)	2.63 (67)	7.3 (3.3)
3/4 (20)	7.00 (178)	6.50 (165)	4.00 (102)	0.50 (13)	4.63 (118)	1.69 (43)	4	0.75 (19)	3.25 (83)	11.0 (5.0)
1 (25)	8.00 (203)	7.19 (183)	4.00 (102)	0.75 (19)	4.92 (125)	2.00 (51)	4	0.75 (19)	3.50 (89)	14.5 (6.6)
1 1/2 (40)	9.00 (229)	8.88 (225)	4.63 (118)	1.19 (30)	6.13 (156)	2.88 (73)	4	0.88 (22)	4.50 (114)	31.0 (14.1)
2 (50)	10.50 (267)	10.63 (270)	6.63 (168)	1.44 (37)	6.50 (165)	3.63 (92)	8	0.75 (19)	5.00 (127)	41.2 (18.7)