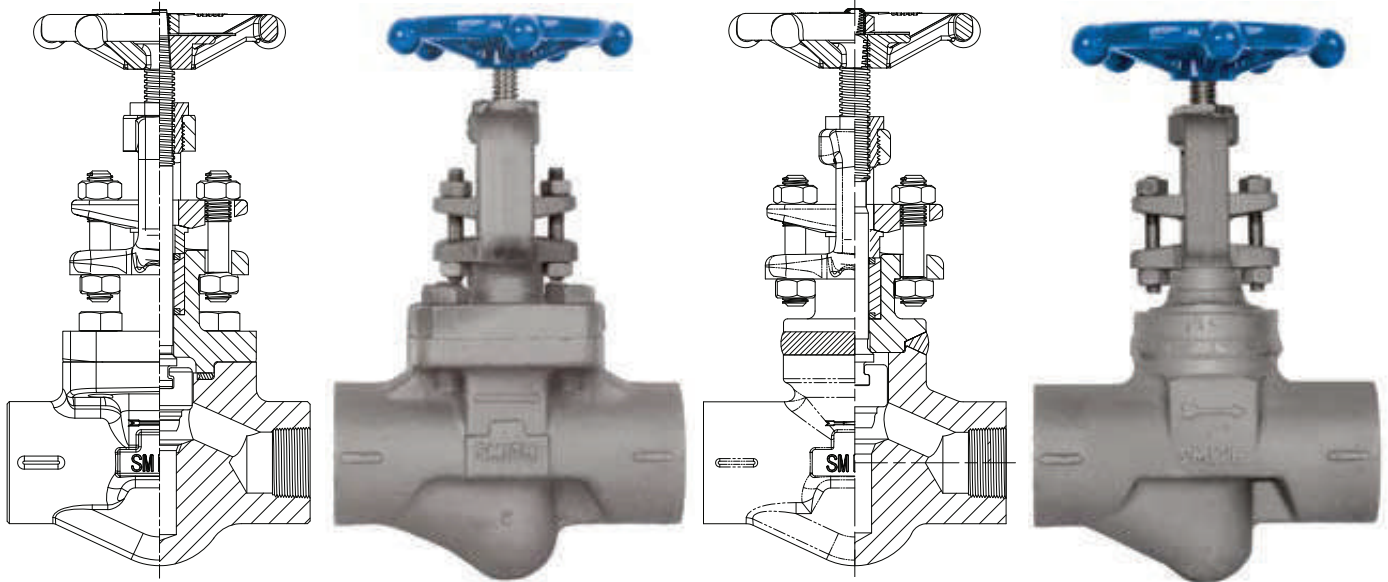




# G150-G157 Globe Valves

**Forged Steel OS&Y**  
Valves comply with applicable portions of API 602 and ASME B16.34

**Class 1500**  
**1/4" - 2"**



**G150**

**G157**

CLASS 1500 BOLTED BONNET GLOBE VALVE - THREADED or SOCKET WELD - INCHES (MM)								
VALVE SIZE NPS (DN)	END TO END	CENTER TO TOP (OPEN)	HANDWHEEL DIAMETER	PORT DIAMETER	SOCKET DEPTH	SOCKET DIAMETER	NPT THRD	APPROX. WEIGHT LBS (KG)
1/4 (8)	3.50 (89)	6.63 (168)	4.00 (102)	0.25 (6)	0.39 (10)	0.56 (14)	1/4"-18	6.0 (2.7)
3/8 (10)	3.50 (89)	6.63 (168)	4.00 (102)	0.25 (6)	0.39 (10)	0.69 (18)	3/8"-18	6.0 (2.7)
1/2 (15)	3.50 (89)	6.63 (168)	4.00 (102)	0.38 (10)	0.39 (10)	0.86 (22)	1/2"-14	5.8 (2.6)
3/4 (20)	4.50 (114)	6.75 (171)	4.00 (102)	0.50 (13)	0.51 (13)	1.07 (27)	3/4"-14	8.5 (3.9)
1 (25)	6.25 (159)	7.88 (200)	4.63 (118)	0.75 (19)	0.51 (13)	1.34 (34)	1"-11 1/2	14.8 (6.7)
1 1/4 (32)	7.25 (184)	9.94 (252)	6.63 (168)	1.00 (25)	0.51 (13)	1.68 (43)	1 1/4"-11 1/2	27.0 (12.2)
1 1/2 (40)	7.25 (184)	9.94 (252)	6.63 (168)	1.19 (30)	0.51 (13)	1.92 (49)	1 1/2"-11 1/2	27.0 (12.2)
2 (50)	7.25 (184)	10.75 (273)	6.63 (168)	1.44 (37)	0.63 (16)	2.41 (61)	2"-11 1/2	31.0 (14.1)

CLASS 1500 WELDED BONNET GLOBE VALVE - THREADED or SOCKET WELD - INCHES (MM)								
VALVE SIZE NPS (DN)	END TO END	CENTER TO TOP (OPEN)	HANDWHEEL DIAMETER	PORT DIAMETER	SOCKET DEPTH	SOCKET DIAMETER	NPT THRD	APPROX. WEIGHT LBS (KG)
1/4 (8)	3.50 (89)	6.56 (167)	4.00 (102)	0.25 (6)	0.39 (10)	0.56 (14)	1/4"-18	4.3 (1.9)
3/8 (10)	3.50 (89)	6.56 (167)	4.00 (102)	0.25 (6)	0.39 (10)	0.69 (18)	3/8"-18	4.3 (1.9)
1/2 (15)	3.50 (89)	6.56 (167)	4.00 (102)	0.38 (10)	0.39 (10)	0.86 (22)	1/2"-14	4.0 (1.8)
3/4 (20)	4.50 (114)	6.88 (175)	4.00 (102)	0.50 (13)	0.51 (13)	1.07 (27)	3/4"-14	6.0 (2.7)
1 (25)	6.25 (159)	8.19 (208)	4.63 (118)	0.75 (19)	0.51 (13)	1.34 (34)	1"-11 1/2	12.5 (5.7)
1 1/4 (32)	7.25 (184)	10.31 (262)	6.63 (168)	1.00 (25)	0.51 (13)	1.68 (43)	1 1/4"-11 1/2	19.5 (8.8)
1 1/2 (40)	7.25 (184)	10.31 (262)	6.63 (168)	1.19 (30)	0.51 (13)	1.92 (49)	1 1/2"-11 1/2	19.5 (8.8)
2 (50)	7.25 (184)	10.38 (264)	6.63 (168)	1.44 (37)	0.63 (16)	2.41 (61)	2"-11 1/2	24.0 (10.9)