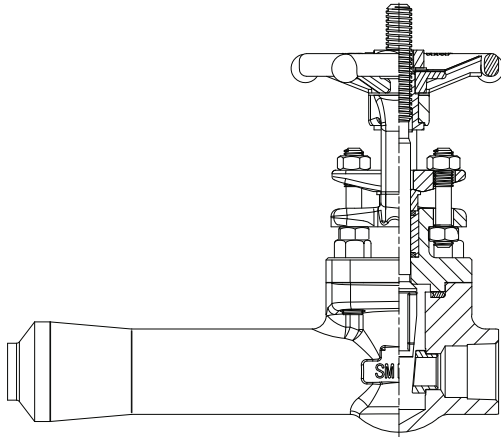




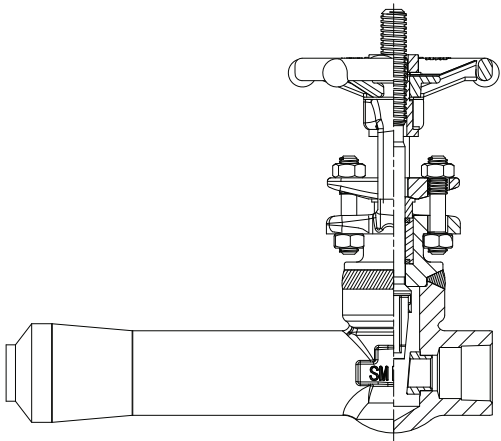
0874-0875 Gate Valves

Forged Steel OS&Y Integrally Reinforced Extended Body – Conventional Port
Valves comply with applicable portions of API 602 and ASME B16.34

Class 800
1/2" - 2"



0874



0875

CLASS 800 BOLTED BONNET INTEGRALLY REINFORCED EXTENDED BODY GATE VALVE - INCHES (MM)

VALVE SIZE NPS (DIN)	END TO END	CENTER TO TOP (OPEN)	HANDWHEEL DIAMETER	PORT DIAMETER	CENTER TO END	APPROX. WEIGHT LBS (KG)
1/2 (15)	7.75 (197)	6.00 (152)	4.00 (102)	0.39 (10)	6.13 (156)	5.5 (2.5)
3/4 (20)	8.63 (219)	6.44 (164)	4.00 (102)	0.50 (13)	6.88 (175)	7.0 (3.2)
1 (25)	9.56 (243)	7.25 (184)	4.00 (102)	0.75 (19)	7.63 (194)	10.5 (4.8)
1 1/2 (40)	10.38 (264)	9.13 (232)	5.50 (140)	1.19 (30)	8.00 (203)	16.5 (7.5)
2 (50)	12.00 (305)	11.06 (281)	6.63 (168)	1.50 (38)	9.25 (235)	27.4 (12.4)

CLASS 800 WELDED BONNET INTEGRALLY REINFORCED EXTENDED BODY GATE VALVE - INCHES (MM)

VALVE SIZE NPS (DIN)	END TO END	CENTER TO TOP (OPEN)	HANDWHEEL DIAMETER	PORT DIAMETER	CENTER TO END	APPROX. WEIGHT LBS (KG)
1/2 (15)	7.75 (197)	6.00 (152)	4.00 (102)	0.39 (10)	6.13 (156)	5.0 (2.3)
3/4 (20)	8.63 (219)	6.44 (164)	4.00 (102)	0.50 (13)	6.88 (175)	6.5 (2.9)
1 (25)	9.56 (243)	7.25 (184)	4.00 (102)	0.75 (19)	7.63 (194)	9.8 (4.4)
1 1/2 (40)	10.38 (264)	9.13 (232)	5.50 (140)	1.19 (30)	8.00 (203)	14.3 (6.5)
2 (50)	12.00 (305)	11.06 (281)	6.63 (168)	1.50 (38)	9.25 (235)	22.9 (10.4)