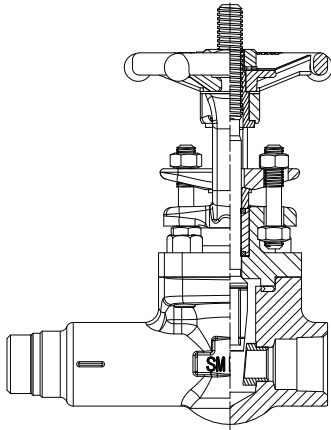




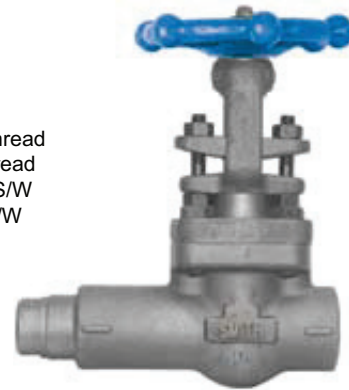
0811-0814/0876-0879 Gate Valves

Forged Steel OS&Y Male End – Conventional Port
Valves comply with applicable portions of API 602 and ASME B16.34

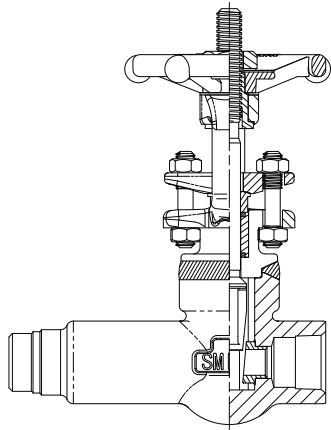
Class 800
1/2" - 2"



0811 Male Thread x Female Thread
0812 Male Plain x Female Thread
0813 Male Thread x Female S/W
0814 Male Plain x Female S/W



0811-0814



0876 Male Thread x Female Thread
0877 Male Plain x Female Thread
0878 Male Thread x Female S/W
0879 Male Plain x Female S/W



0876-0879

CLASS 800 CONVENTIONAL PORT BOLTED BONNET GATE TAKE OFF DESIGN - INCHES (MM)

| VALVE SIZE NPS (DIN) | END TO END | CENTER TO TOP (OPEN) | HANDWHEEL DIAMETER | PORT DIAMETER | CENTER TO END | APPROX. WEIGHT LBS (KG) |
|-------------------------|------------|-------------------------|-----------------------|------------------|------------------|----------------------------|
| 1/2 (15) | 5.63 (143) | 6.25 (159) | 4.00 (102) | 0.31 (8) | 4.00 (102) | 4.3 (1.9) |
| 3/4 (20) | 5.75 (146) | 6.50 (165) | 4.00 (102) | 0.50 (13) | 4.00 (102) | 5.0 (2.3) |
| 1 (25) | 5.94 (151) | 7.25 (184) | 4.00 (102) | 0.66 (17) | 4.00 (102) | 6.8 (3.1) |
| 1 1/2 (40) | 7.38 (187) | 9.13 (232) | 5.50 (140) | 1.19 (30) | 5.00 (127) | 10.2 (4.6) |
| 2 (50) | 7.88 (200) | 11.06 (281) | 6.63 (168) | 1.50 (38) | 5.13 (130) | 12.8 (5.8) |

CLASS 800 CONVENTIONAL PORT WELDED BONNET GATE TAKE OFF DESIGN - INCHES (MM)

| VALVE SIZE NPS (DIN) | END TO END | CENTER TO TOP (OPEN) | HANDWHEEL DIAMETER | PORT DIAMETER | CENTER TO END | APPROX. WEIGHT LBS (KG) |
|-------------------------|------------|-------------------------|-----------------------|------------------|------------------|----------------------------|
| 1/2 (15) | 5.63 (143) | 6.19 (157) | 4.00 (102) | 0.31 (8) | 4.00 (102) | 3.8 (1.7) |
| 3/4 (20) | 5.75 (146) | 6.44 (164) | 4.00 (102) | 0.50 (13) | 4.00 (102) | 4.2 (1.9) |
| 1 (25) | 5.94 (151) | 7.19 (183) | 4.00 (102) | 0.66 (17) | 4.00 (102) | 5.8 (2.6) |
| 1 1/2 (40) | 7.38 (187) | 9.13 (232) | 5.50 (140) | 1.19 (30) | 5.00 (127) | 10.5 (4.8) |
| 2 (50) | 7.88 (200) | 11.00 (279) | 6.63 (168) | 1.50 (38) | 5.13 (130) | 17.0 (7.7) |