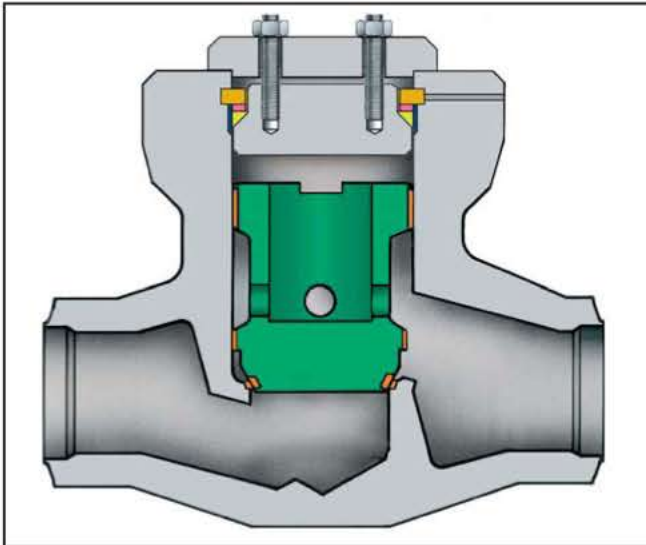


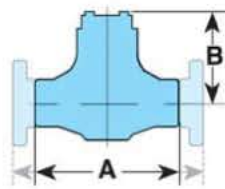


PRESSURE SEAL PISTON CHECK VALVES CARBON, ALLOY OR STAINLESS STEEL ASME CLASSES 600–2500, 2–14" (50–350 mm)



CAUTION: For other than horizontal line orientations see pgs. 50-51, or contact Velan Engineering.

CLASS	FIG. NO.
600	2034P/2034K
900	7034P/7034K
1500	3034P/3034K
2500	4034P/4034K



Flange dimensions are in accordance with ASME B16.5. Flanges are welded on.

DESIGN FEATURES:

- **Advanced pressure seal design.** (See page 10 for details.)
- **Quick and easy repair in the line.**
- **Seat integrally Stellite.**
- **Disc-piston fully guided** with Stellite seating and guiding surfaces. The light disc-piston ensures maximum lift and low pressure drop.
- **Tight shutoff.**
- **Other sizes available on request.**

STANDARD MATERIALS

PART	MATERIAL				
Body ⁽¹⁾⁽²⁾	A 105	A 182	A 182	A 182	A 182
Cover ⁽²⁾		Gr. F11	Gr. F22	Gr. F91	Gr. F316
Disc ⁽²⁾	A 105 or A 216 Gr. WCB	A 182 Gr. F11 or A 217 Gr. WC6	A 182 Gr. F22 or A 217 Gr. WC9	A 182 Gr. F91	A 182 Gr. F316 or A 351 Gr. CF8M
Gasket	Soft carbon steel - silver plated or Graphite/SS 316				
Gasket retainer	A 182 Gr. F6a Cl.4				
Spacer ring	Gr. 4140 option Ni or Cad plated or SS				
Cover plate	Carbon steel				
Cover stud	Gr. B7				
Cover nut	Gr. 2H				

(1) Other materials available, including Graphite. (2) Stellite.

FLOW COEFFICIENT CV*

SIZE in (mm)	CLASS			
	600	900	1500	2500
2 (50)	45	45	45	20
2½ (65)	45	45	45	35
3 (80)	100	100	100	35
4 (100)	170	170	170	60
6 (150)	350	350	350	200
8 (200)	640	640	425	350
10 (250)	875	875	710	490
12 (300)	-	-	960	-
14 (350)	-	-	960	-

Note: 2–10" (50–100 mm) are forged.
12–14" (300–350 mm) are cast.

* $K_v = C_v \times 0.85$

DIMENSIONS – BUTT WELD END

SIZE in mm	ASME 600 (PN 100)			ASME 900 (PN 150)			ASME 1500 (PN 250)			ASME 2500 (PN 420)		
	A	B	lb ⁽⁴⁾ kg	A	B	lb ⁽⁴⁾ kg	A	B	lb ⁽⁵⁾ kg	A	B	lb ⁽⁴⁾ kg
2	10.00 ⁽³⁾	6.50	100	10.00 ⁽³⁾	6.50	100	10.00 ⁽³⁾	6.50	100	11.00	9.13	110
50	254	165	45	254	165	45	254	165	45	279	232	50
2½	10.00 ⁽³⁾	6.50	100	10.00	6.50	100	10.00	6.50	100	13.00	8.63	120
65	254	165	45	254	165	45	254	165	45	330	219	54
3	10.00	8.50	100	12.00	8.50	100	12.00	8.50	100	14.50	8.63	125
80	254	216	45	305	216	45	305	216	45	368	219	56
4	12.00	10.25	150	14.00	10.25	150	16.00	10.25	150	18.00	10.25	160
100	305	260	68	356	260	68	406	260	68	457	260	72
6	18.00	14.62	450	20.00	14.62	450	22.00	14.62	450	24.00	14.62	500
150	457	371	204	508	371	204	559	371	204	610	371	227
8	26.00	17.6	700	26.00	17.60	700	28.00	17.81	700	30.00	17.31	750
200	660	447	318	660	447	318	711	452	318	762	440	340
10	28.00	19.13	900	31.00	19.13	900	34.00	19.13	900	34.00 ⁽³⁾	19.10	1000
250	711	486	408	787	486	408	864	486	408	864	485	454
12	-	-	-	-	-	-	44.50	17.50	2050	-	-	-
300	-	-	-	-	-	-	1130	445	929	-	-	-
14	-	-	-	-	-	-	44.50 ⁽³⁾	17.50	2050	-	-	-
350	-	-	-	-	-	-	1130	445	929	-	-	-

(3) The following valves do not meet the ASME B16.10 end to end dimensions.

(4) Weights shown are for forged valves. For weights of cast steel valves, please contact Velan's Engineering Dept.