

STANDARD MATERIALS

PART	MATERIALS
Body	B62
Bonnet	B62
Wedge	B62
Stem	B371 C69400
Packing Nut	B62 or B16
Gland	B16
Packing	Graphite
Hand Wheel	Ductile Iron
Hand Wheel Nut	Brass
Stuffing Box	B371 C69400
Wheel Plate	Aluminum

Design Specifications

Item	Applicable Specification
Pressure - temperature ratings	MSS SP-80
General valve design	MSS SP-80
Thread design	ASME B1.20.1
Materials	ASTM

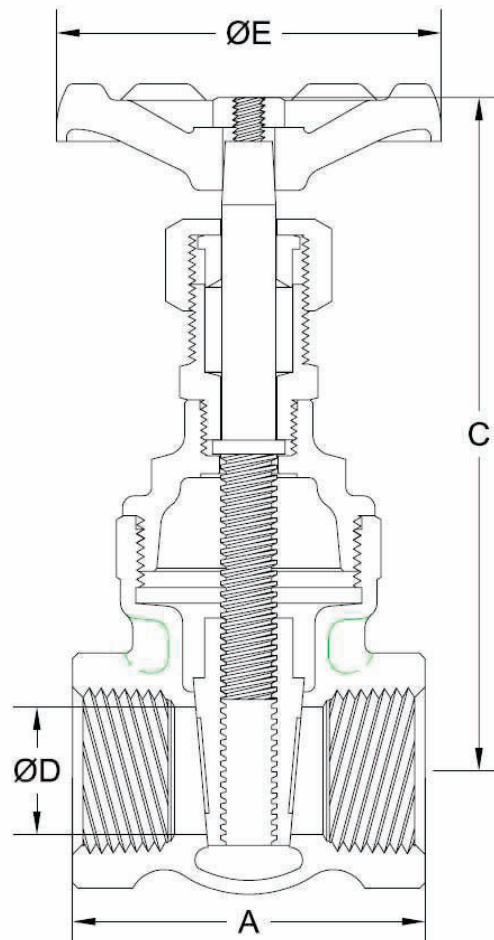
DESIGN FEATURES:

- **Renewable** solid wedges.
- **Integral** seats.
- **High-Tensile** bronze alloy stems.
- **Each** valve is shell and seat pressure tested per industry standard MSS SP-80.
- **Stems** are rotating, non-rising design.

Class	Fig. No.
125	507
150	512 / 2712

GATE VALVE DIMENSIONS (CLASSES 125 & 150).

SIZE	FIG 507, 512, & 2712					
	A	C	D	E	WT	C _v
in						
mm						
¼	1.75	3.5	0.25	2.1	0.7	3.2
6	44	89	6	54	0.3	
⅜	2.00	3.5	0.38	2.1	0.9	7.1
10	51	89	10	54	0.4	
½	2.38	3.9	0.50	2.5	1.0	12.6
13	60	99	13	64	0.5	
¾	2.44	4.6	0.75	2.8	1.7	30
20	62	117	19	70	0.8	
1	2.75	5.4	1.00	3.0	2.8	55
25	70	137	25	76	1.3	
1¼	3.00	6.2	1.25	3.3	4.0	87
32	76	157	32	83	1.8	
1½	3.38	6.8	1.50	3.6	5.0	129
40	86	173	38	92	2.3	
2	3.50	7.8	2.00	4.1	7.2	240
50	89	198	51	103	3.3	
2½	4.50	9.4	2.50	5.1	16.0	350
65	114	239	64	130	7.3	
3	5.00	10.5	3.00	5.7	22.5	510
75	127	267	76	144	10.2	



C = Center to top open / closed

WT = Weight

C_v = Flow Coefficient