

Solenoid Valve YT-720

Design features

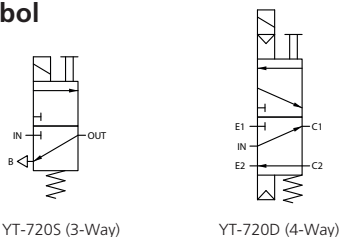
- **Balance spool type.** No require of backing spring.
- **AC and DC Power options.** Interchangeable AC and DC coils.
- **Manual override Options.** For maintenance or emergency operation.
- **Rotational Connection.** Coil assembly can be rotated.



YT-720S (3-Way)

YT-720D (4-Way)

Symbol



YT-720S (3-Way)

YT-720D (4-Way)



| Item Type | | YT-720S | YT-720D |
|---------------------------|-----------|--|-----------------|
| Max. Supply Pressure | | 0 to 0.4 MPa 0 to 0.7 MPa | 0.1 to 1 MPa |
| Flow Capacity (Cv) | Output | 0.2 (Φ3) at 0.4 MPa 0.084 (Φ1.6) at 0.7 MPa | 0.75 |
| | Exhaust | 0.093 | N/A |
| Rating Current | AC 220 V | 60 mA (11 W) | |
| | AC 110 V | 130 mA (12 W) | |
| | DC 24 V | 580 mA (14 W) | |
| Frequency | | 50 to 60 Hz | |
| Explosion Protection Type | | KCs Ex d IIC T6 | |
| Connection Type | | PT (NPT) 1/4 | |
| Conduit | | G 1/2 (PF 1/2) | |
| Coil Insulation Grade | | Class F | |
| Operating Temp. | Operating | -20 to 70 °C (-4 to 158 °F) | |
| | Explosion | -20 to 50 °C (-4 to 122 °F) | |
| Weight | | 0.8 kg (1.8 lb) | 1.2 kg (2.6 lb) |

Product Code

YT-720 - S - P - 1 - 1

Model
YT-720

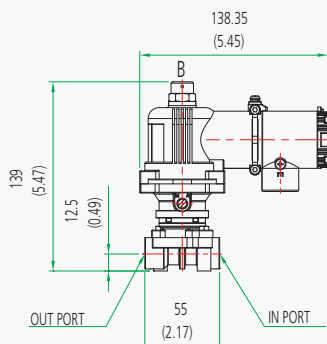
Valve Type
S = 3-Way
D = 4-Way

Connection Type
P = PT
N = NPT

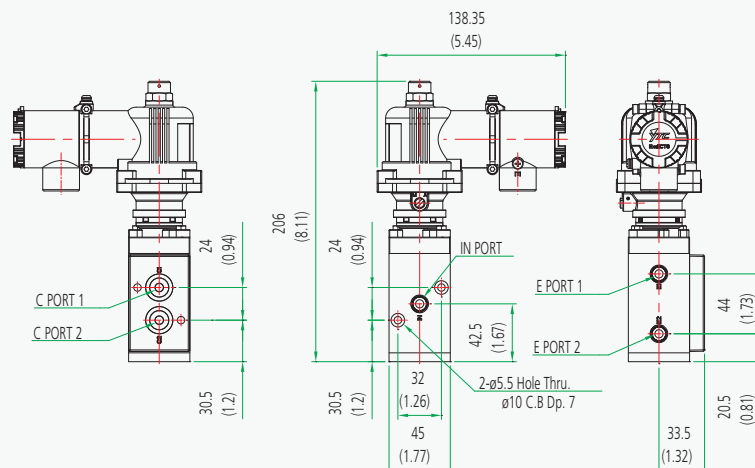
Power Source
1 = AC 110 V
2 = AC 220 V
3 = DC 24 V

Pressure
1 = 0 to 0.4 MPa (3-Way)
2 = 0 to 0.7 MPa (3-Way)
3 = 0 to 1.0 MPa (4-Way)

Dimensions: mm (Inches ")



YT-720S (3-Way)



YT-720D (4-Way)