

Position Transmitter SPTM-5V

Design features

- **Convenient wiring: 2 wire type.**
- **High accuracy and reliability.** Stable Output and repeatability.
- **Simple change for RA v.s. DA action setting.**
- **Smart setting.** Easy setting of zero and span by pressing the buttons (2 or 5 points setup).



SPTM-5V



Item Type		SPTM-5VL	SPTM-5VR
Input Type		2 Wire	
Input Signal		0 to 30°	0 to 90°
Output Signal		4 to 20 mA DC	
Load Resistance		$R_{L \leq} \frac{V_s[v] - 9[v]}{I [mA]}$	
Supply Voltage		9 to 28 VDC	
Noise Range		50 mV p.p	
Conduit		G 1/2 (PF 1/2)	
Operating Temp.	Operating	-40 to 85 °C (-40 to 185 °F)	
	LCD	-30 to 85 °C (-22 to 185 °F)	
Linearity		±1% F.S.	
Hysteresis		±0.2% F.S.	
Sensitivity		±0.2% F.S.	
Explosion Protection Type		Ex ia IIC T5	
Ingress Protection		IP67	
Material		Aluminium Diecasting	
Weight		0.6 kg (1.3 lb)	

Product Code

SPTM-5V - L - I - 1 - 0

Model

SPTM-5V = Intrinsically Safety Aluminum

Motion Type

L = Linear
R = Rotary

Explosion Protection

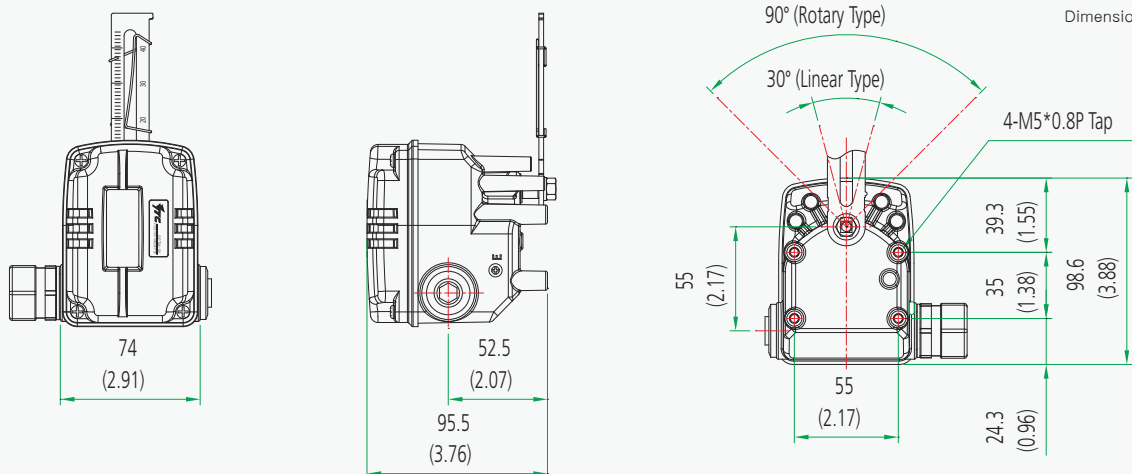
N

Lever Type

Linear	Rotary
1 = 10 to 40 mm	1 = Standard
2 = 20 to 70 mm	2 = NAMUR
3 = 50 to 100 mm	
4 = 100 to 150 mm	

Option

0 = None
1 = With LCD



SPTM-5V