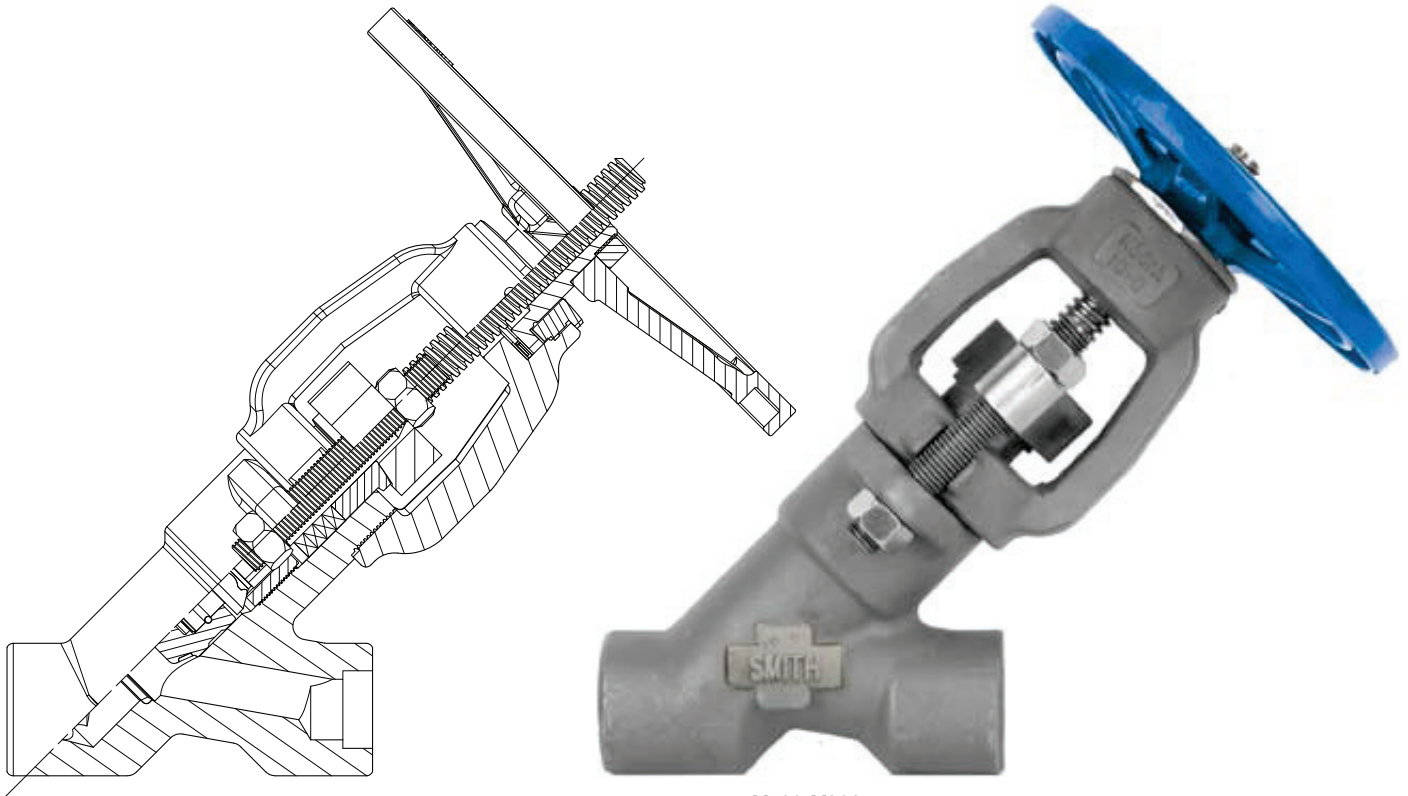




# Y162-Y262 Y-Pattern Globe Valves

**Forged Steel OS&Y**  
**Valves comply with applicable portions of API 602 and ASME B16.34**  
**Non-Rotating Stem**

**Class 1690/2690**  
**1/2" - 2"**



Y162-Y262

CLASS 1690 BONNETLESS Y-PATTERN GLOBE VALVE - THREADED or SOCKET WELD - INCHES (MM)								
VALVE SIZE NPS (DIN)	END TO END	CENTER TO TOP (OPEN)	HANDWHEEL DIAMETER	PORT DIAMETER	SOCKET DEPTH	SOCKET DIAMETER	NPT THRD	APPROX. WEIGHT LBS (KG)
1/2 (15)	5.50 (140)	11.31 (287)	9.81 (249)	0.47 (12)	0.39 (10)	0.86 (22)	1/2"-14	22.1 (10.0)
3/4 (20)	5.50 (140)	11.31 (287)	9.81 (249)	0.71 (18)	0.51 (13)	1.07 (27)	3/4"-14	21.7 (9.8)
1 (25)	7.13 (181)	11.88 (302)	9.81 (249)	0.91 (23)	0.51 (13)	1.34 (34)	1"-11 1/2	27.2 (12.4)
1 1/2 (40)	8.25 (210)	17.69 (449)	15.75 (400)	1.38 (35)	0.51 (13)	1.92 (49)	1 1/2"-11 1/2	84.7 (38.4)
2 (50)	10.25 (260)	21.50 (546)	19.69 (500)	1.69 (43)	0.63 (16)	2.41 (61)	2"-11 1/2	138.1 (62.6)

CLASS 2690 BONNETLESS Y-PATTERN GLOBE VALVE - THREADED or SOCKET WELD - INCHES (MM)								
VALVE SIZE NPS (DIN)	END TO END	CENTER TO TOP (OPEN)	HANDWHEEL DIAMETER	PORT DIAMETER	SOCKET DEPTH	SOCKET DIAMETER	NPT THRD	APPROX. WEIGHT LBS (KG)
1/2 (15)	5.50 (140)	11.31 (287)	9.81 (249)	0.47 (12)	0.39 (10)	0.86 (22)	1/2"-14	22.1 (10.0)
3/4 (20)	5.50 (140)	11.31 (287)	9.81 (249)	0.71 (18)	0.51 (13)	1.07 (27)	3/4"-14	21.7 (9.8)
1 (25)	7.13 (181)	11.88 (302)	9.81 (249)	0.91 (23)	0.51 (13)	1.34 (34)	1"-11 1/2	27.2 (12.4)
1 1/2 (40)	8.25 (210)	17.69 (449)	15.75 (400)	1.38 (35)	0.51 (13)	1.92 (49)	1 1/2"-11 1/2	84.7 (38.4)
2 (50)	10.25 (260)	21.50 (546)	19.69 (500)	1.69 (43)	0.63 (16)	2.41 (61)	2"-11 1/2	138.1 (62.6)