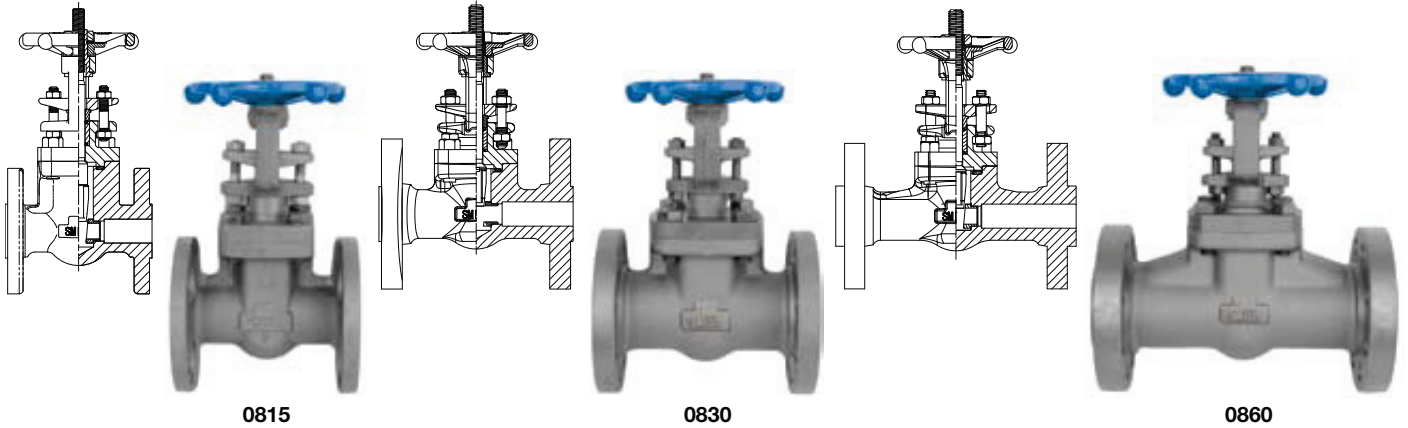




0815-0830-0860 Gate Valves

Forged Steel OS&Y – Conventional Port
Valves comply with applicable portions of API 602 and ASME B16.34

Class 150/300/600
1/2" - 3"



CLASS 150 CONVENTIONAL PORT BOLTED BONNET GATE VALVE - FLANGED ENDS - INCHES (MM)

VALVE SIZE NPS (DN)	FACE TO FACE	CENTER TO TOP (OPEN)	HANDWHEEL DIAMETER	PORT DIAMETER	FLANGE DIAMETER	RAISED DIAMETER	BOLT HOLE	BOLT HOLE DIAMETER	BOLT CIRCLE	APPROX. WEIGHT LBS (KG)
1/2 (15)	4.25 (108)	7.00 (178)	4.00 (102)	0.39 (10)	3.54 (90)	1.38 (35)	4	0.63 (16)	2.38 (60)	6.5 (2.9)
3/4 (20)	4.63 (118)	7.06 (179)	4.00 (102)	0.50 (13)	3.94 (100)	1.69 (43)	4	0.63 (16)	2.75 (70)	9.0 (4.1)
1 (25)	5.00 (127)	7.69 (195)	4.00 (102)	0.75 (19)	4.25 (108)	2.00 (51)	4	0.63 (16)	3.13 (79)	9.8 (4.4)
1 1/2 (40)	6.50 (165)	9.13 (232)	5.50 (140)	1.19 (30)	5.00 (127)	2.88 (73)	4	0.63 (16)	3.88 (98)	18.2 (8.3)
2 (50)	7.00 (178)	11.06 (281)	6.63 (168)	1.50 (38)	6.00 (152)	3.63 (92)	4	0.75 (19)	4.75 (121)	33.5 (15.2)
3 (80)	8.00 (203)	13.69 (348)	7.38 (187)	2.00 (51)	7.50 (191)	5.00 (127)	4	0.75 (19)	6.00 (152)	54.0 (24.5)

CLASS 300 CONVENTIONAL PORT BOLTED BONNET GATE VALVE - FLANGED ENDS - INCHES (MM)

VALVE SIZE NPS (DN)	FACE TO FACE	CENTER TO TOP (OPEN)	HANDWHEEL DIAMETER	PORT DIAMETER	FLANGE DIAMETER	RAISED DIAMETER	BOLT HOLE	BOLT HOLE DIAMETER	BOLT CIRCLE	APPROX. WEIGHT LBS (KG)
1/2 (15)	5.50 (140)	6.25 (159)	4.00 (102)	0.39 (10)	3.75 (95)	1.38 (35)	4	0.63 (16)	2.63 (67)	7.0 (3.2)
3/4 (20)	6.00 (152)	6.38 (162)	4.00 (102)	0.50 (13)	4.63 (118)	1.69 (43)	4	0.75 (19)	3.25 (83)	10.3 (4.6)
1 (25)	6.50 (165)	7.25 (184)	4.00 (102)	0.75 (19)	4.94 (125)	2.00 (51)	4	0.75 (19)	3.50 (89)	12.8 (5.8)
1 1/2 (40)	7.50 (191)	9.13 (232)	5.50 (140)	1.19 (30)	6.13 (156)	2.88 (73)	4	0.88 (22)	4.50 (114)	25.0 (11.3)
2 (50)	8.50 (216)	11.06 (281)	6.63 (168)	1.50 (38)	6.50 (165)	3.63 (92)	8	0.75 (19)	5.00 (127)	35.5 (16.1)
3 (80)	11.13 (283)	13.63 (346)	7.38 (187)	2.00 (51)	8.25 (210)	5.00 (127)	8	0.88 (22)	6.63 (168)	64.5 (29.3)

CLASS 600 CONVENTIONAL PORT BOLTED BONNET GATE VALVE - FLANGED ENDS - INCHES (MM)

VALVE SIZE NPS (DN)	FACE TO FACE	CENTER TO TOP (OPEN)	HANDWHEEL DIAMETER	PORT DIAMETER	FLANGE DIAMETER	RAISED DIAMETER	BOLT HOLE	BOLT HOLE DIAMETER	BOLT CIRCLE	APPROX. WEIGHT LBS (KG)
1/2 (15)	6.50 (165)	6.25 (159)	4.00 (102)	0.39 (10)	3.75 (95)	1.38 (35)	4	0.63 (16)	2.63 (67)	7.5 (3.4)
3/4 (20)	7.50 (191)	6.44 (164)	4.00 (102)	0.50 (13)	4.63 (118)	1.69 (43)	4	0.75 (19)	3.25 (83)	11.8 (5.3)
1 (25)	8.50 (216)	7.25 (184)	4.00 (102)	0.75 (19)	4.94 (125)	2.00 (51)	4	0.75 (19)	3.50 (89)	15.0 (6.8)
1 1/2 (40)	9.50 (241)	9.13 (232)	5.50 (140)	1.19 (30)	6.13 (156)	2.88 (73)	4	0.88 (22)	4.50 (114)	31.0 (14.1)
2 (50)	11.50 (292)	11.06 (281)	6.63 (168)	1.50 (38)	6.50 (165)	3.63 (92)	8	0.75 (19)	5.00 (127)	44.2 (20.1)