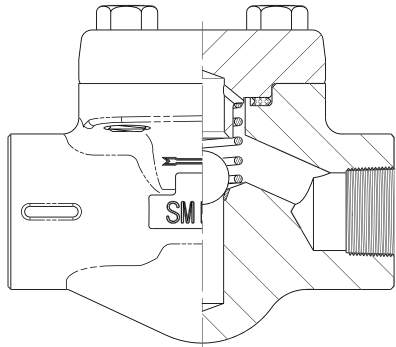




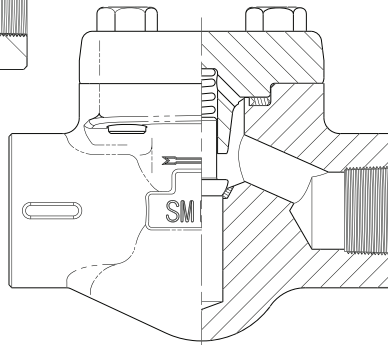
# B150-SB15/C150-SC15 Check Valves

**Forged Steel, Bolted Cap, Horizontal, Ball and Piston-type**  
Valves comply with applicable portions of API 602 and ASME B16.34

**Class 1500**  
**1/4" - 2"**



**B150-SB15**



**C150 - SC15**



**CLASS 1500 BOLTED CAP BALL TYPE CHECK VALVE - THREADED or SOCKET WELD - INCHES (MM)**

VALVE SIZE NPS (DIN)	END TO END	CENTER TO TOP (OPEN)	PORT DIAMETER	SOCKET DEPTH	SOCKET DIAMETER	NPT THRD	APPROX. WEIGHT LBS (KG)	B150 CRACKING PRESSURE PSI (BAR)	SB15 CRACKING PRESSURE PSI (BAR)
1/4 (8)	3.50 (89)	2.38 (60)	0.25 (6)	0.39 (10)	0.56 (14)	1/4"-18	4.8 (2.2)	0.2 (0.01)	2.1 (0.14)
3/8 (10)	3.50 (89)	2.38 (60)	0.25 (6)	0.39 (10)	0.69 (18)	3/8"-18	4.8 (2.2)	0.2 (0.01)	2.1 (0.14)
1/2 (15)	3.50 (89)	2.38 (60)	0.38 (10)	0.39 (10)	0.86 (22)	1/2"-14	4.5 (2.0)	0.2 (0.01)	2.1 (0.14)
3/4 (20)	4.50 (114)	2.44 (62)	0.50 (13)	0.51 (13)	1.07 (27)	3/4"-14	7.0 (3.2)	0.3 (0.02)	2.1 (0.14)
1 (25)	6.25 (159)	3.13 (79)	0.75 (19)	0.51 (13)	1.34 (34)	1"-11 1/2	12.8 (5.8)	0.3 (0.02)	3.5 (0.24)
1 1/4 (32)	7.25 (184)	3.94 (100)	1.00 (25)	0.51 (13)	1.68 (43)	1 1/4"-11 1/2	22.5 (10.2)	0.4 (0.03)	2.7 (0.19)
1 1/2 (40)	7.25 (184)	3.94 (100)	1.19 (30)	0.51 (13)	1.92 (49)	1 1/2"-11 1/2	22.2 (10.1)	0.4 (0.03)	2.7 (0.19)
2 (50)	7.25 (184)	4.50 (114)	1.44 (37)	0.63 (16)	2.41 (61)	2"-11 1/2	26.5 (12.0)	0.5 (0.03)	6.0 (0.41)

**CLASS 1500 BOLTED CAP PISTON TYPE CHECK VALVE - THREADED or SOCKET WELD - INCHES (MM)**

VALVE SIZE NPS (DIN)	END TO END	CENTER TO TOP (OPEN)	PORT DIAMETER	SOCKET DEPTH	SOCKET DIAMETER	NPT THRD	APPROX. WEIGHT LBS (KG)	C150 CRACKING PRESSURE PSI (BAR)	SC15 CRACKING PRESSURE PSI (BAR)
1/4 (8)	3.50 (89)	2.38 (60)	0.25 (6)	0.39 (10)	0.56 (14)	1/4"-18	4.8 (2.2)	0.3 (0.02)	1.8 (0.12)
3/8 (10)	3.50 (89)	2.38 (60)	0.25 (6)	0.39 (10)	0.69 (18)	3/8"-18	4.8 (2.2)	0.3 (0.02)	1.8 (0.12)
1/2 (15)	3.50 (89)	2.38 (60)	0.38 (10)	0.39 (10)	0.86 (22)	1/2"-14	4.5 (2.0)	0.3 (0.02)	1.8 (0.12)
3/4 (20)	4.50 (114)	2.44 (62)	0.50 (13)	0.51 (13)	1.07 (27)	3/4"-14	7.0 (3.2)	0.3 (0.02)	1.0 (0.07)
1 (25)	6.25 (159)	3.13 (79)	0.75 (19)	0.51 (13)	1.34 (34)	1"-11 1/2	12.8 (5.8)	0.3 (0.02)	0.6 (0.04)
1 1/4 (32)	7.25 (184)	3.94 (100)	1.00 (25)	0.51 (13)	1.68 (43)	1 1/4"-11 1/2	22.5 (10.2)	0.3 (0.02)	0.5 (0.03)
1 1/2 (40)	7.25 (184)	3.94 (100)	1.19 (30)	0.51 (13)	1.92 (49)	1 1/2"-11 1/2	22.2 (10.1)	0.3 (0.02)	0.5 (0.03)
2 (50)	7.25 (184)	4.50 (114)	1.44 (37)	0.63 (16)	2.41 (61)	2"-11 1/2	26.5 (12.0)	0.4 (0.03)	0.7 (0.05)