

# Masoneilan\* V-Max\* 36005 Series

## High Capacity Control Ball Valve

BHGE's Masoneilan 36005 Series V-Max High Capacity Control Ball Valve is first and foremost a control valve. In other words, unlike other high-capacity ball valve designs, the V-Max control ball valve doesn't sacrifice control accuracy to achieve higher capacities.

The V-Max control ball valve's patented dual-characterized segmented ball design combines high Cv ratings with exceptional 500:1 turndown. It is an excellent solution for both high-viscosity fluid applications, found in the pulp and paper industry, as well as for processes requiring very high capacity along with accurate control. Standard features also include our environmental packing seal (EF\* seal).



### Highest Rated Capacities

Of all segmented ball valves, the V-Max control ball valve has the highest rated capacities. Class-leading 500:1 turndown extends the valve's application range, providing increased application flexibility without the complexity of typical reduced trim options.

Valve Size		Capacity $C_v$
in	DN	
1	25	55
1.5	40	125
2	50	170
3	80	440
4	100	740
6	150	1250
8	200	1860
10	250	3020
12	300	4400



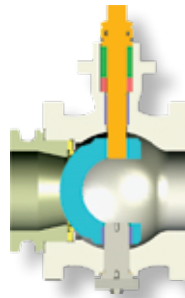
# Advanced Diagnostics - Masoneilan SVI\* II AP Digital Valve Positioner

An optional SVI II AP Advanced Performance, digital smart valve positioner provides industry-leading control accuracy and resolution. A non-contacting position sensor, directly coupled to the valve shaft, eliminates external linkage to simplify installation. Auto-tune and auto-calibration features minimize installation and startup time, while ensuring consistent positioning accuracy. Advanced diagnostics provide predictive maintenance functionality by warning of impending problems or failure.

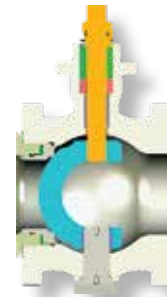


## Tailored To Your Application Needs

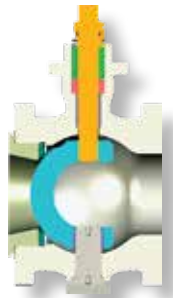
Three seat types and two face-to-face options allow the V-Max control ball valve to be tailored to your application needs. Standard MN-7 soft-seat construction provides low operating torque and consistent Class VI shutoff. Optional flexible metal seats extend the temperature rating to 316° C (600° F) with Class IV shutoff. The optional heavy-duty seat provides increased durability in harsher service environments.



MN-7 Soft Seat design shown with optional extended retainer to meet ANSI B16.10 Short Pattern Ball face-to-face



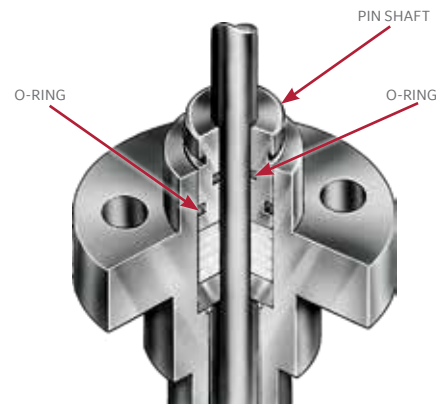
Heavy Duty Seat option provides increased durability in harsh services



Optional Flexible Metal Seat shown with standard retainer meeting ISA S74.04 face-to-face

## EF\* Seal

The EF seal from BHGE's Masoneilan products provides long-term, reliable, extremely low-emission shaft-seal performance. This economical solution to fugitive emissions won't compromise control performance and is suitable for use in environmentally sensitive applications.



**Standard V-Max Packing Arrangement**  
EF Seal (Emission Free)  
Double O-Ring Seal-Packing Follower  
Fugitive Emission-Containment Package for Zero Leakage<sup>1</sup>

<sup>1</sup>Factory Mutual certified report

[bhge.com](http://bhge.com)

\*Denotes a trademark of Baker Hughes, a GE company LLC.

Other company names and product names used in this document are the registered trademarks or trademarks of their respective owners.

© 2018 Baker Hughes, a GE company LLC - All rights reserved.

Baker Hughes reserves the right to make changes in specifications and features shown herein, or discontinue the product described at any time without notice or obligation. Contact your BHGE representative for the most current information. The Baker Hughes logo is a trademark of Baker Hughes, a GE company. The GE Monogram is a trademark of the General Electric Company.

GEA19052C 11/2018

**BAKER  
HUGHES**  
a GE company

